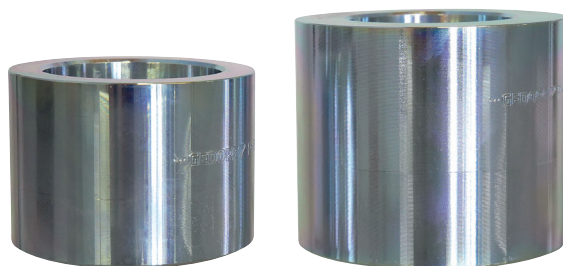


KL-0214-261

Silent Bloc Tool Sleeve Set, VW-Audi
for the Rear Silent Blocs of the Front Axle Wishbones



GEDORE Automotive GmbH

Breslauer Straße 41
78166 - Donaueschingen
Postfach 1329
78154 Donaueschingen - GERMANY
☎ +49 (0) 771 / 8 32 23-0
☎ +49 (0) 771 / 8 32 23-90
✉ info.gam@gedore.com



www.gedore-automotive.com



07/2025

KL-0214-261__EN250632.indd

**ENGLISH****EN**

Address of the manufacturer

GEDORE Automotive GmbH

Breslauer Straße 41 // 78166 Donaueschingen - GERMANY

☎ +49 (0)771/83223-71 // ✉ info.gam@gedore.com

Imprint

In the course of improvement and adaptation to the state of the art, we reserve the right to make changes with regard to appearance, dimensions, weights and properties, and performance.

This does not imply any claim to correction or subsequent delivery of already delivered products. Deletions can be made at any time without any legal claim arising.

Instructions for use and safety are not binding. They never substitute for any legal or trade association regulations.

We do not accept any liability for printing errors.

Any reproduction, in whole or in part, requires the prior written consent of **GEDORE Automotive GmbH**.

All rights reserved worldwide.

© Copyright by **GEDORE Automotive GmbH** Donaueschingen (GERMANY)

We refer to our general terms and conditions, which can be found in the imprint at:

www.gedore-automotive.com



TABLE OF CONTENTS

i This table of contents contains **interactive elements** with which the desired **chapters** can be accessed quickly and conveniently on digital devices with just one **click**.

1. READ AND UNDERSTAND FOR SAFETY 4

1.1 Target group 4

1.2 Obligations of the owner 4

1.3 Intended use 4

1.4 Reasonably foreseeable misuse 4

1.5 Personal protective equipment 5

1.6 Labelling of the warnings 5

1.7 Working environment 5

1.8 Emissions 5

1.9 Basic safety, warning and handling instructions 6

1.10 Maintenance 7

1.11 Problem treatments 7

1.12 Care / storage 7

1.13 Maintenance 7

1.14 Environmentally friendly disposal 7

2. PRODUCT DESCRIPTION 8

2.1 KL-0214-261 - Silent bloc tool sleeve set VW-Audi 8

2.2 Scope of delivery/single part overview/drive parts 8

2.3 Technical data 9

3. PREPARATION 10

3.1 Prepare vehicle 10

3.2 Prepare tool 10

4. APPLICATION EXAMPLE 11

4.1 Press out the silent bloc 11

4.2 Press in the silent bloc 12

1. READ AND UNDERSTAND FOR SAFETY



These Operating instructions are part of the **SILENTBLADE BEARING TOOL** and are intended to familiarise you with this special tool. Read and understand these Operating instructions before using the special tool and follow all instructions, regulations and notes for safe use. Keep the Operating instructions in a safe place so that you or subsequent users can access them at any time. Be aware that misuse of the special tool can, in the worst case, lead to **DEATH** or **SERIOUS INJURY**! Stop work immediately if you are unsure how to use the special tool and contact **GEDORE-Automotive** if necessary.

1.1 Target group

These Operating instructions are intended **exclusively** for trained specialists with comprehensive expertise in the repair of motor vehicles = motor vehicles.

- ▶ The special tool **may only** be used in specialist automotive workshops by trained specialists who have the necessary expertise in handling special automotive tools and are familiar with the applicable regulations on occupational safety, accident prevention and environmental protection.
- ▶ The special tool **must never** be used by unauthorised, inexperienced, underage or physically, sensory or mentally impaired persons, **or** by persons who are tired or under the influence of medication, alcohol, drugs or similar intoxicating substances.

1.2 Obligations of the owner

According to the German Ordinance on Industrial Safety and *Health (BetrSichV)*, employers are obliged to provide their employees with safe work equipment! The special tool from GEDORE-Automotive complies with the recognised rules of technology and relevant safety regulations at the time it is placed on the market.

- ▶ **The owner** of the special tool **must ensure that only** trained specialists in specialist vehicle workshops use the special tool!
- ▶ **The owner** of the special tool **must ensure** that the user has access to the associated instructions and has read and understood them in full **before** using the special tool!
- ▶ **The owner** of the special tool **must ensure** that the user has the necessary expertise in handling special automotive tools, is familiar with the applicable regulations on occupational safety, accident prevention and environmental protection and is provided with personal protective equipment!

1.3 Intended use

The **SILENTBLOC TOOL**...

- ... **may only** be used **on passenger cars, in particular on the vehicles mentioned in chapter 2!**
- ... **may only** be used **for pressing out and pressing in the rear Silent blocs (rubber-metal bearings) on front axle wishbones!**
- ... **may only** be loaded with **up to a maximum load of 7 tonnes !**
- ... **may only** be used **by hand using muscle power with a manual drive or a manually driven GEDORE Automotive hydraulic cylinder/pump combination with pressure gauge for safe pressure control!**
- ... **may only** be used **with GEDORE Automotive original spare parts and accessories!**
- ... **may only** be used **in the manner described in these Operating instructions!**
- ⚠ Any other use may result in **DEATH** or **SERIOUS INJURIES !**

1.4 Reasonably foreseeable misuse

The **SILENTBLOC TOOL**...

- ... **must never** be used **to press out or press in other parts or in any other way than intended!**
- ... **must never** be used **with an impulse or impact wrench!**
- ... **must never** be used **with a machine drive, a machine-driven hydraulic cylinder/pump combination or a drive other than that intended!**
- ... **must never** be used **for series processing with many constantly repeating work processes!**
- ... **must never** be used **with a bridged, modified or removed safety device!**
- ... **must never** be modified, converted or misused without authorisation!
- ⚠ **Always** use the special tool as intended. Any other use may result in **DEATH** or **SERIOUS INJURY !**

1.5 Personal protective equipment

For your own safety, wear personal protective equipment when using the special tool! The special tool can cause mechanical hazards such as crushing, cuts and impact injuries.



Wear **EYE PROTECTION EQUIPMENT** (e.g. DIN EN 166, OSHA 29 CFR 1910.133, ANSI Z87) when using the special tool to protect against flying parts or particles!

▶When using the special tool, flying parts or particles can cause **SERIOUS INJURY** to your **eyes** !



Wear **PROTECTIVE GLOVES** (e.g. DIN EN 388, OSHA 29 CFR 1910.138, ANSI 105) when using the special tool to protect against sharp edges and crushing between parts!

▶When using the special tool, sharp edges and crushing between parts can cause **SERIOUS INJURY** to your **hands** !



Wear **SAFETY SHOES** (e.g. DIN EN ISO 20345, OSHA 29 CFR 1910.136, ANSI Z41) when using the special tool to protect against falling parts!

▶When using the special tool, falling parts can cause **SERIOUS INJURY** to your **feet and toes** !

1.6 Labelling of the warnings

Warning notices indicate **potential dangers** which, if ignored, can lead to **DEATH** or **SERIOUS INJURY** in the worst case and must therefore be observed at all times. In these Operating instructions, the warnings are classified as follows for better differentiation and recognisability:

Warning signs	Meaning
WARNING	Indicates a potentially hazardous situation which, if not avoided, could result in DEATH or SERIOUS INJURY !
CAUTION	Indicates a hazardous situation which, if not avoided, may result in MEDIUM or LOW INJURY !
ATTENTION	Indicates a situation which, if not avoided, can lead to damage to the tool or objects in its vicinity!
	Reference to important information and useful tips.

1.7 Working environment

Only use the special tool in a safe working environment and **do not** expose it to extreme temperatures, direct sunlight, extreme humidity or moisture!

- ▶The workplace **must** be clean and tidy.
- ▶The workstation **must** be sufficiently large and well lit.
- ▶The workplace **must** have a stable and non-slip surface.
- ▶The workplace **must** be secured against access by unauthorised persons.
- ▶The workplace **must** have a room temperature between -10 °C and +40 °C.

1.8 Emissions

Hydraulic oil and molybdenum disulphide paste may drip or leak when using the special tool and pose a risk to the environment.

- ▶**Immediately** remove any leaking hydraulic oil and excess molybdenum disulphide paste, e.g. using an oil binding agent or a cleaning cloth.
- ▶In the event of skin contact, clean the affected area **immediately** with degreasing soap and water.
- ▶**Always** dispose of harmful substances such as hydraulic oil and molybdenum disulphide paste **in an environmentally friendly manner**.
- ▶Safety data sheets *in accordance with Regulation (EC) No. 1907/2006* for hydraulic oil (**Alsus Hyd HLP 32 or 46**) and for molybdenum disulphide paste (**MOLYKOTE® G-N PLUS PASTE**) can be found on the manufacturer's website(**World Wide Web**) or contact **GEDORE Automotive** if necessary.

1.9 Basic safety, warning and handling instructions

⚠ WARNING ⚠ CAUTION ATTENTION

Disregarding this can lead to life-threatening situations, injuries and damage!

Always observe the following safety, warning and handling instructions when using the special tool and strictly adhere to all measures to avoid life-threatening situations, injuries and property damage due to hazards, misuse, abuse or improper handling.

- ▶ **Use only by specialist personnel:** The special tool may only be used in specialist vehicle workshops by trained specialists who have the necessary expertise and are familiar with the applicable regulations.
- ▶ **Do not use when tired or intoxicated:** The special tool must never be used by unauthorised or impaired persons or by persons who are tired or under the influence of intoxicating substances.
- ▶ **Read the instructions:** The special tool must be used in accordance with these Operating instructions and any instructions for accessories and all instructions, regulations and notes contained therein must be strictly observed.
- ▶ **Comply with the applicable safety regulations:** The special tool must always be used in accordance with the applicable regulations on occupational safety, accident prevention and environmental protection.
- ▶ **Wear personal protective equipment:** The special tool must always be used with the required protective equipment, such as safety goggles, protective gloves and safety shoes.
- ▶ **Only use original parts:** The special tool may only be used with original spare parts and accessories from GEDORE-Automotive.
- ▶ **Check before use:** The special tool must be checked for damage, loose parts, unauthorised modifications and suitability for the intended application before use.
- ▶ **Regular safety checks:** For safety reasons, the special tool should be subjected to a safety check every 24 months by authorised GEDORE-Automotive specialists.
- ▶ **Do not use if damaged or defective:** The special tool must not be used in the event of damage or other defects and must be checked and repaired before the next use.
- ▶ **Repairs or maintenance only by specialised personnel:** For safety reasons, the special tool may only be repaired or maintained by specially trained GEDORE-Automotive personnel.
- ▶ **Stop work immediately if handling is unsafe:** The special tool must not be used if it is unsafe to handle; if necessary, consult the instructions or obtain support from GEDORE-Automotive.
- ▶ **Clean and lubricate regularly:** The special tool, in particular the moving parts and the spindle, must be checked regularly for contamination, cleaned if necessary and treated with approved lubricants.
- ▶ **Do not use mechanical drives:** The special tool must never be used with mechanical drives, but only after its intended use with a manual drive using muscle power.
- ▶ **Comply with vehicle-specific application procedures:** The special tool must always be used in accordance with the vehicle manufacturer's instructions and specifications for vehicle-specific application sequences.
- ▶ **Secure the immediate working area:** The special tool may only be used if there are no unauthorised persons in the immediate working area.
- ▶ **Ensure stability:** The special tool must generally be checked for stability and a secure hold, in particular the hydraulic cylinder must be secured against falling and being thrown about, e.g. by holding it firmly or using a GEDORE-Automotive safety retaining strap or a holding device.
- ▶ **Never exceed the maximum load:** The special tool must never be overloaded or operated with a higher load than the maximum permissible.
- ▶ **Never use for series production:** The special tool must never be used for series production, especially not for processes that are repeated quickly and carried out at short intervals.
- ▶ **Never leave unattended when under load:** The special tool must never be left unattended on the vehicle or component, especially when under load.
- ▶ **Avoid damaging effects of force:** The special tool must never be impaired by impacts, clamping or other damaging effects of force, especially not when under load.
- ▶ **Cleaning after use:** The special tool may only be cleaned after use with a clean, dry cleaning cloth. Immersion in water, solvents or other cleaning fluids is strictly prohibited.
- ▶ **Environmentally friendly disposal:** The special tool and packaging material must always be disposed of in an environmentally friendly manner in compliance with legal requirements. If in doubt, contact the local authorities.
- ▶ **Exclusion of liability, warranty and guarantee:** The special tool must always be used in compliance with the safety regulations. In the event of disregard or misuse, the user assumes sole responsibility and GEDORE-Automotive excludes any liability, warranty or guarantee claims.
- ▶ **Disclaimer regarding documentation:** The special tool and its use are carefully described in these instructions, but technical changes, errors, incompleteness, inaccuracies, mistakes and damage or consequences due to incorrect use or misuse can never be ruled out.

1.10 Maintenance

Carry out maintenance on the special tool regularly and only when it is depressurised! Insufficient or improper maintenance can cause damage to the special tool and result in life-threatening situations, serious injuries and property damage during use.

Before each use:

- ▶ check the special tool carefully for damage, loose parts or unauthorised modifications **before each use**.
- ▶ **before each use**, check the moving parts and spindle of the special tool for free movement and contamination. If necessary, clean and then lubricate them exclusively with molybdenum disulphide paste, e.g. **KL-0014-0030** from GEDORE-Automotive.

Recommended every 24 months:

- ▶ Have the special tool professionally checked for safety **every 24 months** by authorised GEDORE-Automotive specialists.

1.11 Troubleshooting

Only carry out troubleshooting on the special tool when it is depressurised!

Problem: Clamping nut runs stiffly on the spindle when using the mechanical drive.

Cause: Clamping nut and spindle contaminated or insufficiently lubricated or incorrect lubricant used.

Remedy: Clean the clamping nut and spindle, check for damage and lubricate **exclusively** with molybdenum disulphide paste. (e.g. **GEDORE Automotive - KL-0014-0030**)

Problem: Hydraulic oil is leaking from the hydraulic coupling between the hydraulic cylinder and hand pump.

Cause: Hydraulic coupling contaminated or loose.

Remedy: Clean and retighten the hydraulic clutch. Top up missing hydraulic oil (**HLP 32 or 46**) at the hand pump.

Problem: Hydraulic hand pump does not build up pressure or only very slowly.

Cause: Pressure release valve on the hand pump is open or hydraulic oil is missing.

Remedy: Close the pressure release valve on the hand pump completely and top up any missing hydraulic oil (**HLP 32 or 46**) on the hand pump.

1.12 Care / storage

ATTENTION

Improper care and storage can lead to damage to the special tool.

- ▶ **Never** immerse the special tool in water, solvents or other cleaning fluids.
- ▶ **Only** clean the special tool with a dry and clean cleaning cloth.
- ▶ **Only** protect the special tool with special acid-free oils or greases for tool care.
- ▶ **Always** store the special tool in a dry and clean place together with the corresponding Operating instructions.

1.13 Maintenance

WARNING

Improper repair of the special tool can lead to **DEATH** or **SERIOUS INJURY**.

- ▶ If damage, loose parts or unauthorised modifications are found on the special tool, it must no longer be used for safety reasons!
- ▶ Repairs may only be carried out by specially trained personnel at **GEDORE Automotive!**
- ▶ **Only** use original spare parts and accessories from **GEDORE Automotive** for the special tool!

If necessary, please contact us at **GEDORE Automotive** for a professional inspection and repair of the special tool.

1.14 Environmentally friendly disposal

Dispose of the special tool and packaging material in an environmentally friendly manner in accordance with the legal requirements. If necessary, ask your local authority about environmentally friendly disposal options.

2. PRODUCT DESCRIPTION

2.1 KL-0214-261 - Silent bloc tool sleeve set VW-Audi

Suitable for the rear silent blocs (rubber-metal bearings) on the wishbones of the front axle on VW, Audi, Seat, Škoda and Cupra. Installed e.g. on VW Arteon (3H, 3H), Golf Alltrack VII (BA, BV), Golf Alltrack VIII (CG), Golf Sportsvan VII (AM, AN), Golf VII (5G, BQ, BE), Golf VIII (CD, DA, DB), Jetta VII (BU), Passat Alltrack B8 (3G, CB), Polo VI (AW, BZ, AE), Taigo (CS), T-Cross (C1, D3), T-Roc (A1, D1, AC); AUDI A1 (GB), A3 (8V, 8Y), Q2 (GA), Q3 (F3); SEAT Arona (KJ), Ateca (KH), Ibiza V (KJ), Leon (KL, 5F); ŠKODA Fabia IV (PJ), Kamiq (NW), Karoq (NU, ND), Kodiaq I (NS, NV), Octavia III (5E, NL, NR), Octavia IV (NX, NN, PV), Scala (NW), SuperB III (3V); CUPRA Leon (KL, KU) and others...

Suitable e.g. for silent blocs (rubber-metal bearings) with OEM no. 5Q0407183C, 5Q0407183D, 5Q0407183E, 5Q0407183G, 5Q0407183J, 5Q0407183K, 5Q0407183L, 5Q0407183M, 5Q0407183N or similar...

- Sleeve set for professionally pressing out and pressing in the rear silent bloc on the front axle control arm
- Enables quick and easy replacement of the control arm bearing directly on the vehicle
- Especially for control arm bearings with outer Ø: 65mm / inner Ø: 13mm / height: 50mm
- This eliminates the need for costly replacement of the entire control arm
- Separate drive parts, either mechanical or hydraulic, are required for use

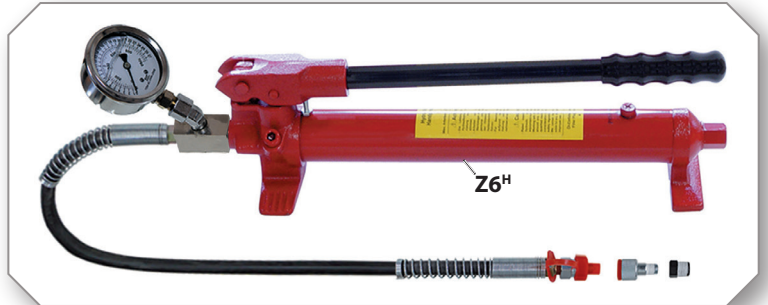
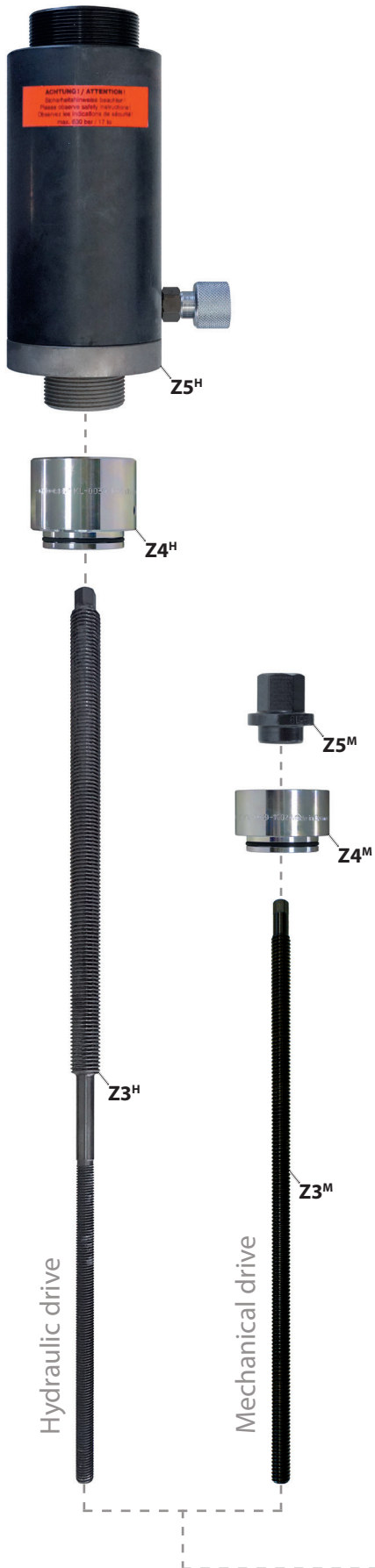
2.2 Scope of delivery/single part overview/drive parts

i This table shows all components for the silent bloc tool.
 Before using this, check
 that all the parts included in the scope of delivery are present
 and assemble any additional
 components that may be required.

KL-0214-261

Pressure/support sleeves...	Pos.		
KL-0214-2611 - Pressure sleeve Ø 64 / 55mm	A	●	
KL-0214-2612- Supporting sleeve Ø 72 / 65mm	B	●	
Required drive parts... Z			
KL-0039-2112-2 - Quick-release nut M12x1.75mm	Z1	+	
KL-0039-1002 - Recording adapter	Z2	+	
...optionally hydraulic H	KL-0039-1912-1 - Pull spindle M12x1.75mm	Z3^H	+ H
	KL-0039-1003 - Mounting adapter for hydraulic cylinder	Z4^H	+ H
	KL-0040-2500 - Hydraulic cylinder 17t	Z5^H	+ H
	KL-0215-35 M25 - Hydraulic hand pump 17t	Z6^H	+ H
...optional Mechanical M	KL-0039-2012-1 - Mechanical pull spindle M12x1.75mm	Z3^M	+ M
	KL-0039-1011 - Mounting adapter for mechanical drive	Z4^M	+ M
	KL-0039-1912-2 - Collar nut M12x1.75mm	Z5^M	+ M

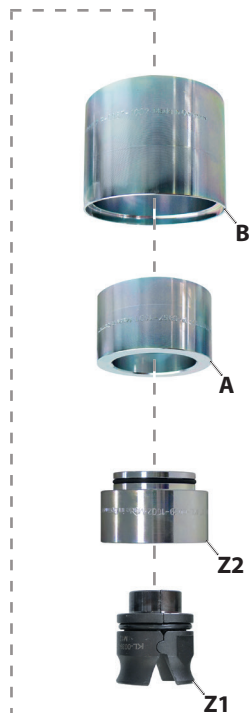
● = Included in Scope of delivery / + = Additionally required / ..^H =Hydraulic drive parts / ..^M =Mechanical drive parts



2.3 Technical data

Pull spindles: M12x1.75mm

Max. Load: 7 tonnes



3. PREPARATION

3.1 Prepare vehicle

📷1: Prepare the front axle wishbones accordingly...



ATTENTION

The brake hose, various cables and the suspension joint can be damaged when replacing the silent bloc! It is therefore essential to ensure that these are not subjected to tension during the subsequent work.

1. Lift the vehicle safely and prepare all parts required for the silent bloc replacement according to the manufacturer's instructions.

For example:

Remove the wheel and loosen the control arm enough to reach the rear silent bloc. In addition, support the control arm to prevent damage to the suspension joint.

3.2 Prepare the tool

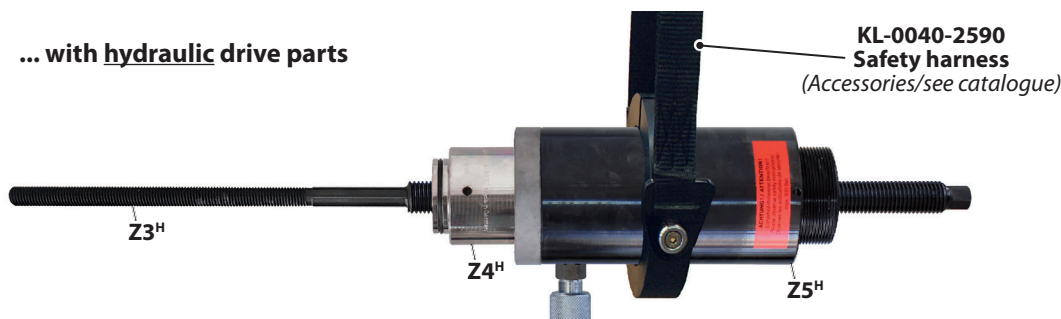
📷2: Prepare the silentbloc tool accordingly...

⚠️WARNING

The silent bloc tool can break and spin around if a mechanical drive is used. This can lead to DEATH or SERIOUS INJURY! Therefore, only drive the silent bloc tool by hand using muscle power with a manual drive or a manually driven GEDORE Automotive hydraulic cylinder/pump combination with a suitable pressure gauge for safe pressure control!

The silent bloc tool may fall during use. This can lead to SERIOUS INJURY! Therefore, secure the silent bloc tool against falling, e.g. by holding it firmly or, especially when using the hydraulic cylinder [Z5^H], using the safety retaining strap available as an accessory!

... with hydraulic drive parts



... with mechanical drive parts



1. Prepare the required drive parts, either **hydraulically** (..^H) or **mechanically** (..^M), as shown at.

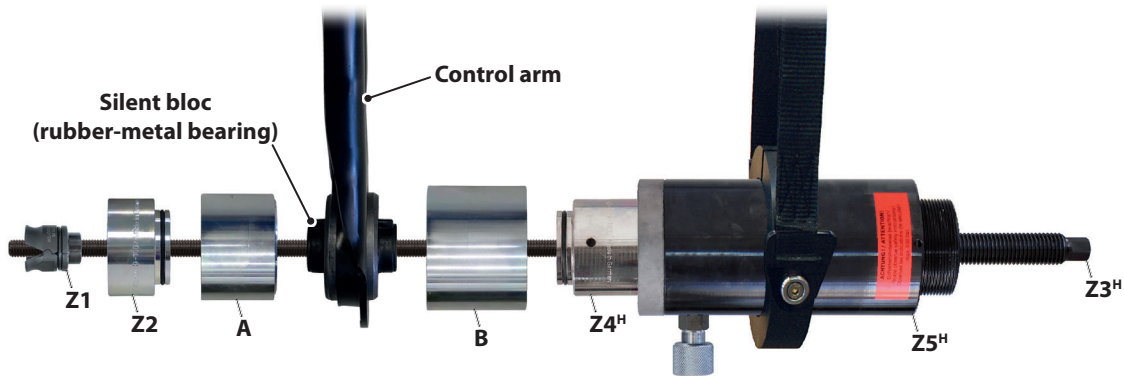
📘 For further drive parts and accessories, see also GEDORE-Automotive catalogue.

4. APPLICATION EXAMPLE

① This application example describes the pressing out and pressing in of the rear silent bloc (rubber-metal bearing) on a transverse control arm of the front axle, using the silent bloc tool and hydraulic drive parts (..^H). If mechanical drive parts (..^M) are used, this process is also carried out according to the same principle.

4.1 Press out silent bloc

📷 3: Position the silent bloc tool on the control arm accordingly...



1. Assemble the silent bloc tool as shown and position it correctly on the silent bloc or control arm. Then screw on the clamping nut [Z1] until the pressure sleeve [A] is in full contact with the silent bloc and the supporting sleeve [B] is in full contact with the control arm.

📷 4: Press out the silent bloc in a controlled manner...



ATTENTION

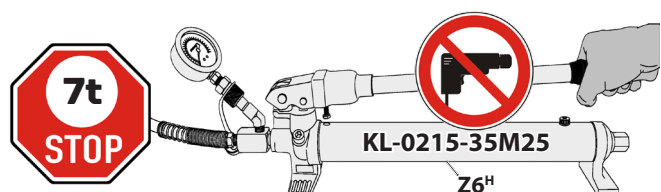
The control arm can be damaged when the silent bloc is pressed out! It is therefore essential to ensure that the pressure sleeve [A] and supporting sleeve [B] are centred in relation to the silent bloc!

⚠️ WARNING

The silent bloc tool can break and spin around due to overloading or misuse. This can lead to DEATH or SERIOUS INJURY! Therefore, never overload the silent bloc tool, never use it with a mechanical drive or in any other way than intended!

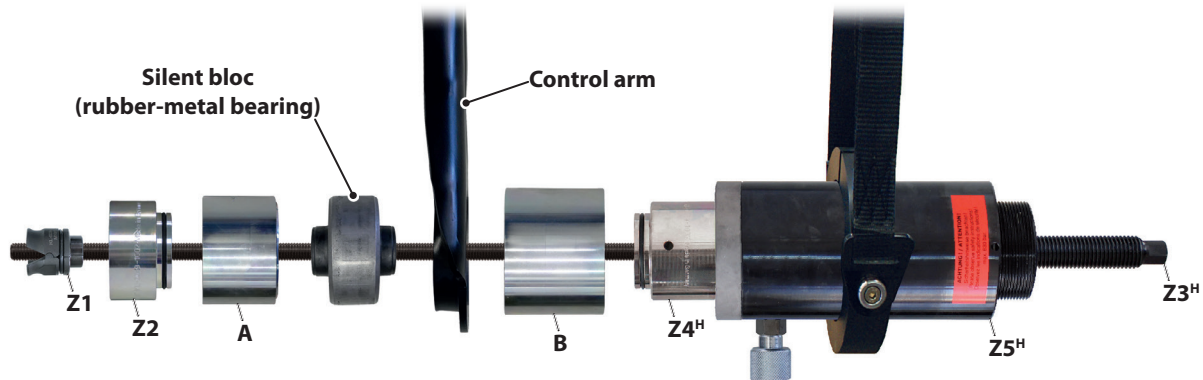
2. Connect the hydraulic hand pump [Z6^H] to the hydraulic cylinder [Z5^H].

3. Align the silent bloc tool in the centre of the silent bloc. Operate the hydraulic hand pump [Z6^H], observing the pressure on the pressure gauge, and press out the silent bloc in a controlled manner.



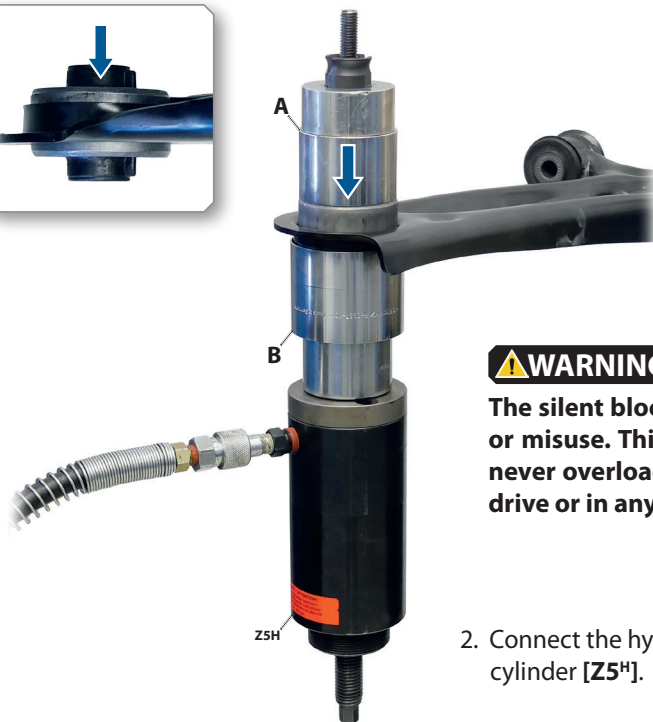
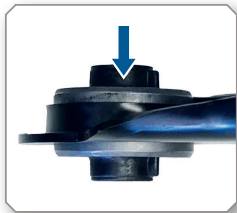
4.2 Press in silent blocs

📷5: Position the silent bloc tool and silent bloc on the control arm accordingly...



1. Assemble the silent bloc tool as shown and attach it to the control arm with the new silent bloc in the correct position.
Then screw on the clamping nut [Z1] until the pressure sleeve [A] together with the new silent bloc and the supporting sleeve [B] are in full contact with the control arm.

📷6: Press in the silent bloc in the correct position according to the manufacturer's specifications...



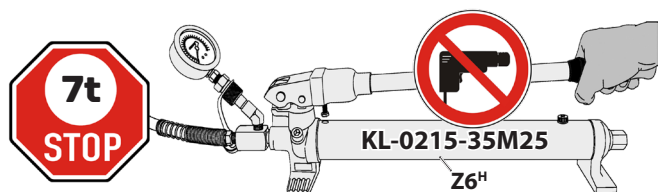
ATTENTION

The Silent bloc can be damaged during press-fitting! It is therefore essential to observe the installation position of the silent bloc according to the manufacturer's specifications!

⚠️ WARNING

The silent bloc tool can break and spin around due to overloading or misuse. This can lead to DEATH or SERIOUS INJURY! Therefore, never overload the silent bloc tool, never use it with a mechanical drive or in any other way than intended!

3. Align the Silent bloc according to the manufacturer's specifications. Operate the hydraulic hand pump [Z6^H], observing the pressure on the pressure gauge, and press in the silent bloc in a controlled manner until it is in the correct installation position.



4. Remove the silent bloc tool and check the correct installation position of the silent bloc.