



Nothing but **HEAVY DUTY.**<sup>™</sup>



# **M18 BLDDRC** **M18 BLPDRC**








---

Original instructions

## Contents

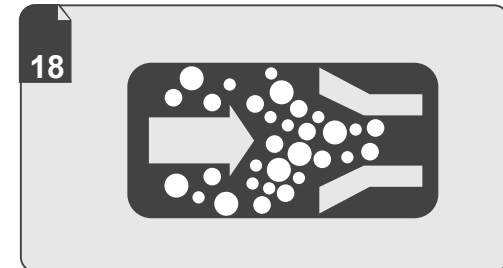
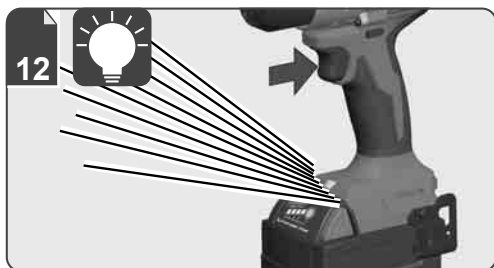
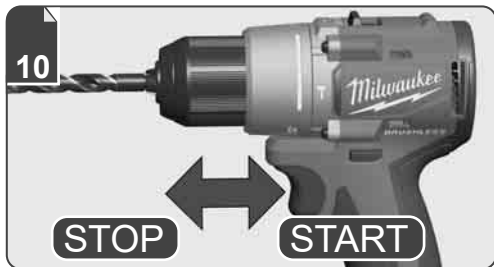
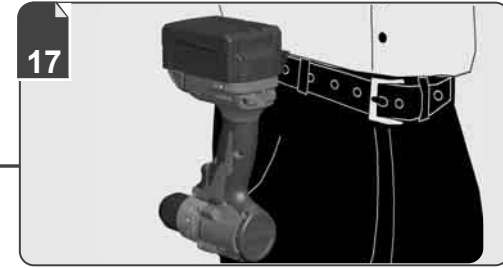
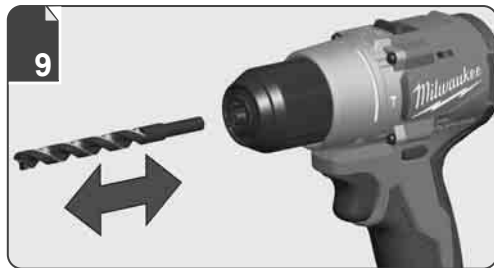
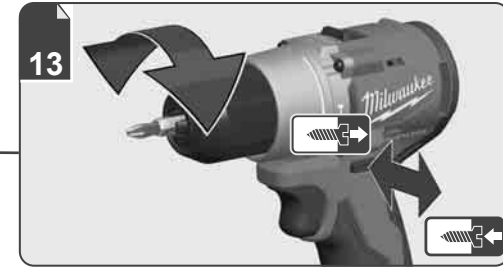
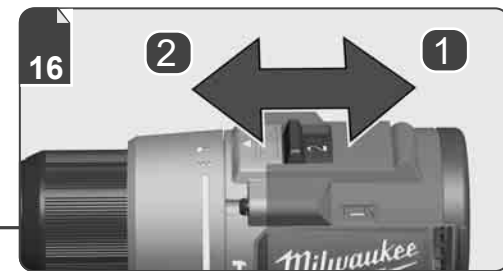
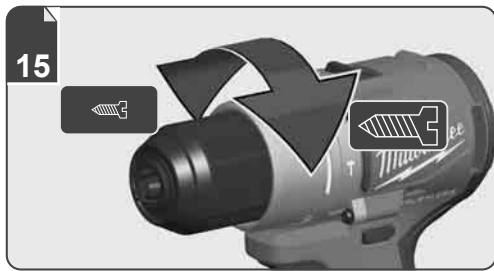
Description of symbols .....	2
Technical data.....	3
Picture section with operating description and functional description .....	4
Text section with important safety and working hints.....	20
EC declaration of conformity .....	22

## Symbols

	Please read the instructions carefully before starting the machine
	CAUTION! WARNING! DANGER!
	Always wear goggles when using the machine.
	Wear ear protectors!
	Wear a suitable dust protection mask.
	Wear gloves!
	Parts or accessories sold separately.

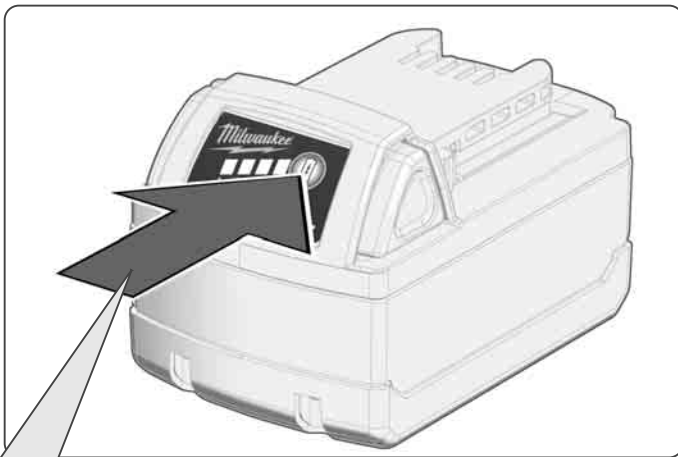
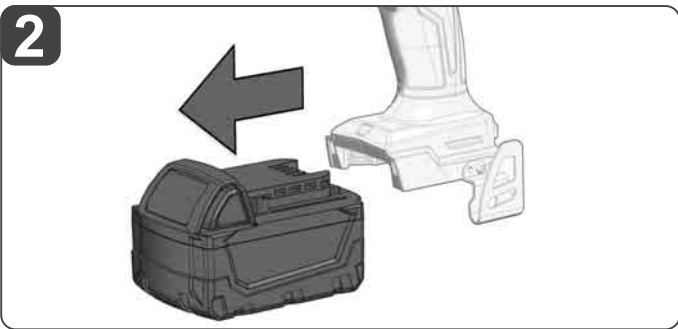
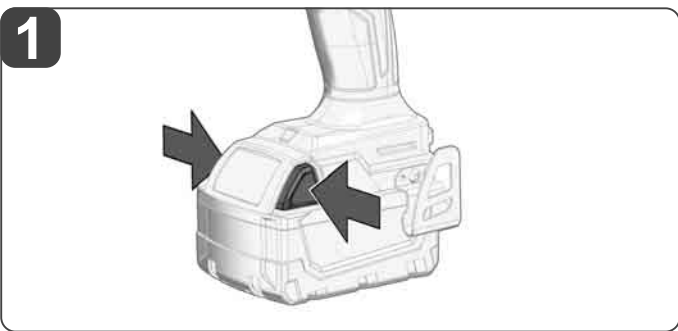
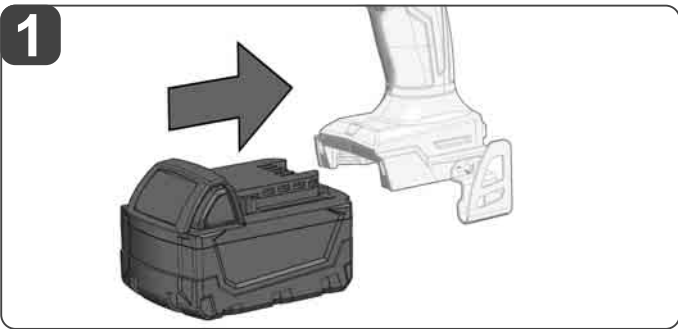
## Technical Data

	M18 BLDDRC	M18 BLPDRC
Production code	4817 09 02 XXXXXX MJJJJ	4817 46 02 XXXXXX MJJJJ
Voltage battery pack	18 V $\overline{=}$	18 V $\overline{=}$
No-load speed, 1st gear	0-550 min <sup>-1</sup>	0-550 min <sup>-1</sup>
No-load speed, 2nd gear	0-1700 min <sup>-1</sup>	0-1700 min <sup>-1</sup>
Impact range, 1st gear	–	: 0-8250 min <sup>-1</sup>
Impact range, 2nd gear	–	0-25500 min <sup>-1</sup>
Torque	60,5 Nm	60,5 Nm
Drilling capacity in wood		
with flat bit	32 mm	32 mm
with auger bit	25,4 mm	25,4 mm
with hole saw	51 mm	51 mm
with selffeed bit	1-3/8" (35 mm)	1-3/8" (35 mm)
Drilling capacity in brick and tile	–	10 mm
Wood screws (without pre-drilling)	13 mm	13 mm
Drill chuck range	1,6 – 13 mm	1,6 – 13 mm
Weight according EPTA-Procedure 01/2014 (2.0 Ah ... 12.0 Ah)	1,5 kg...2,8 kg	1,5...2,8 kg
Recommended ambient operating temperature	-18...+50 °C	
Recommended battery types	M18B...; M18HB...; M18FB...	
Recommended charger	M12-18...; M1418...; M18...	
<b>Noise information:</b> Measured values determined according to EN 62841.		
Typically, the A-weighted noise levels of the tool are:		
Sound pressure level / Uncertainty K	79,32 dB(A) / 3 dB(A)	90,66 dB(A) / 3 dB(A)
Sound power level / Uncertainty K	87,32 dB(A) / 3 dB(A)	98,66 dB(A) / 3 dB(A)
<b>Always wear ear protectors!</b>		
<b>Vibration information:</b> Total vibration values (vector sum in the three axes) determined according to EN 62841.		
Vibration emission value a <sub>h</sub> / Uncertainty K		
Impact drilling into concrete	–	8,31 m/s <sup>2</sup> / 1,5m/s <sup>2</sup>
Drilling into metal	1,64 m/s <sup>2</sup> / 1,5 m/s <sup>2</sup>	1,64 m/s <sup>2</sup> / 1,5m/s <sup>2</sup>
Screwing	1,44 m/s <sup>2</sup> / 1,5m/s <sup>2</sup>	1,44 m/s <sup>2</sup> / 1,5 m/s <sup>2</sup>

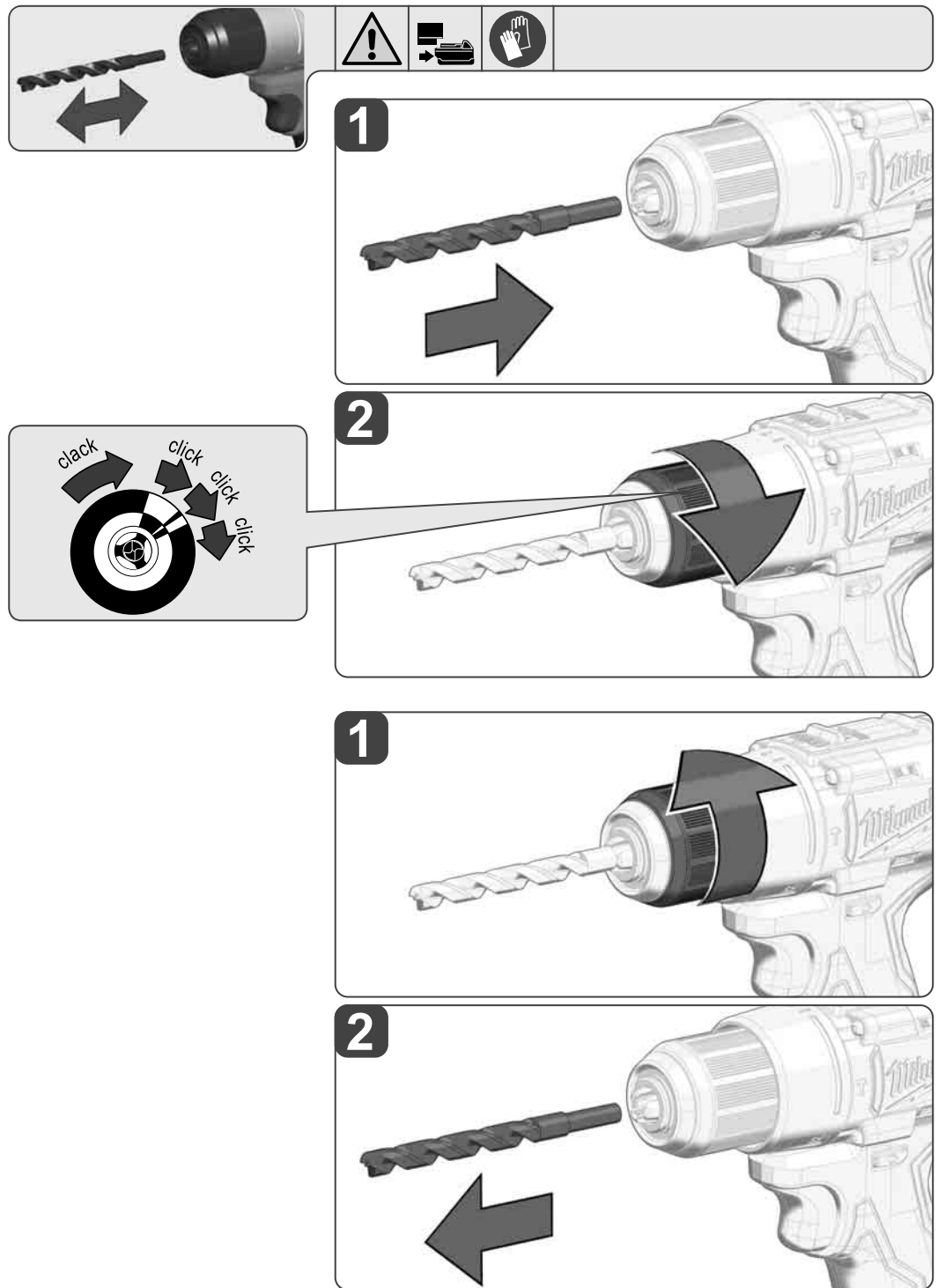
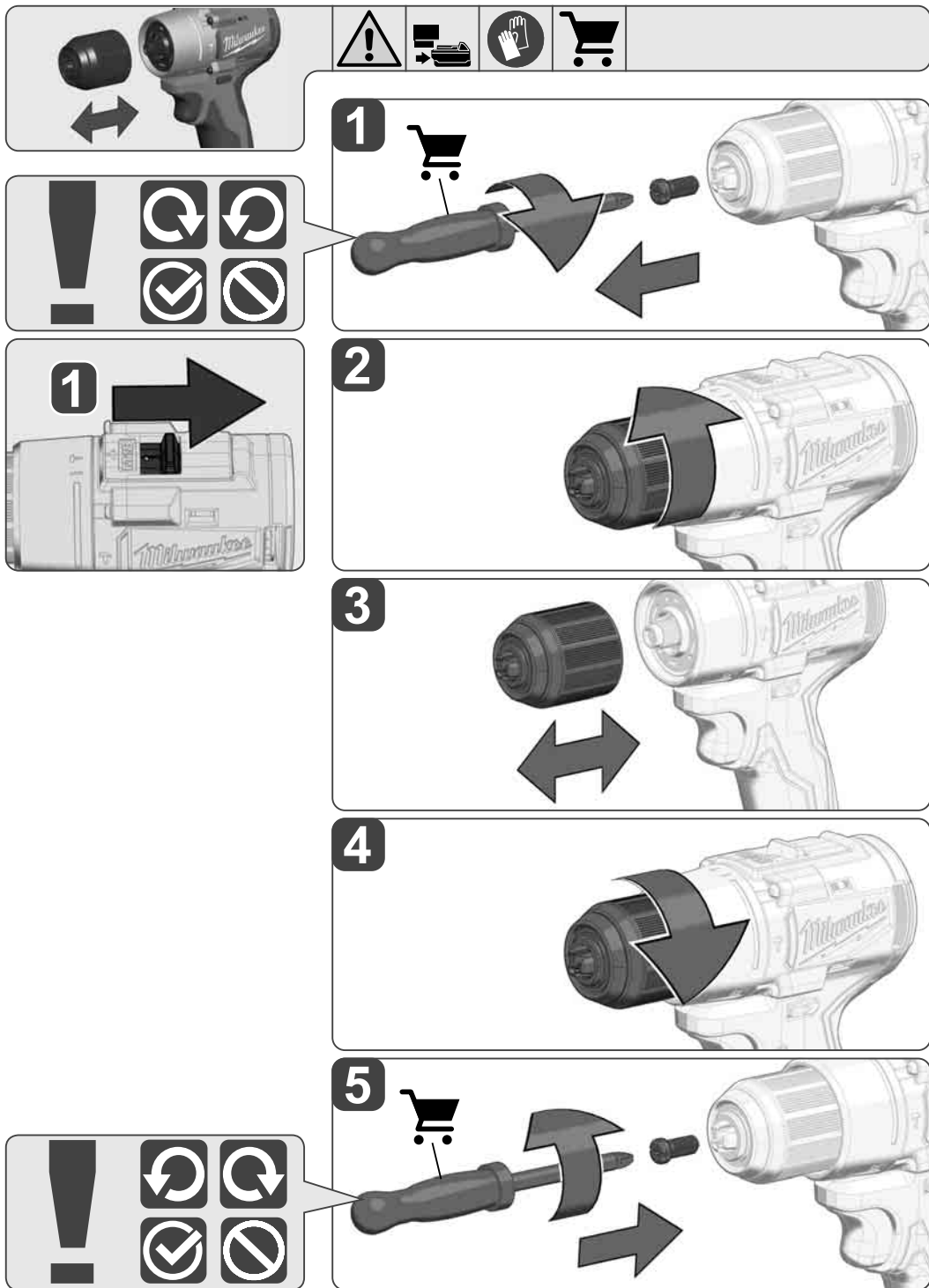




Remove the battery pack before starting any work on the machine.

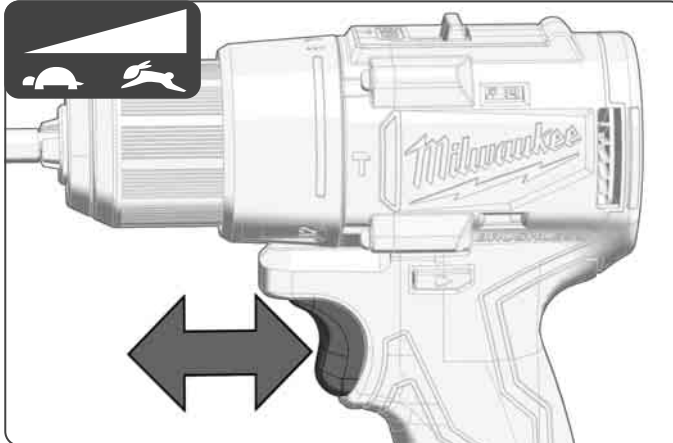
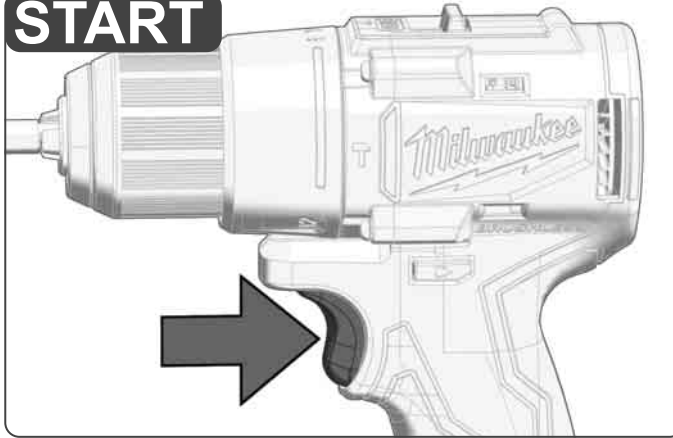


	78-100 %
	55-77 %
	33-54 %
	10-32 %
	< 10 %

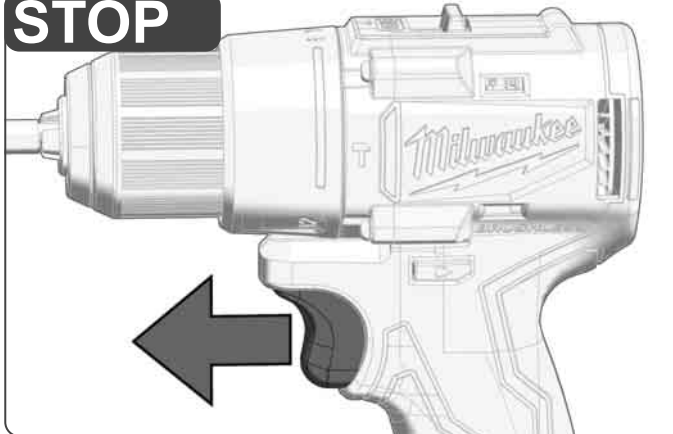




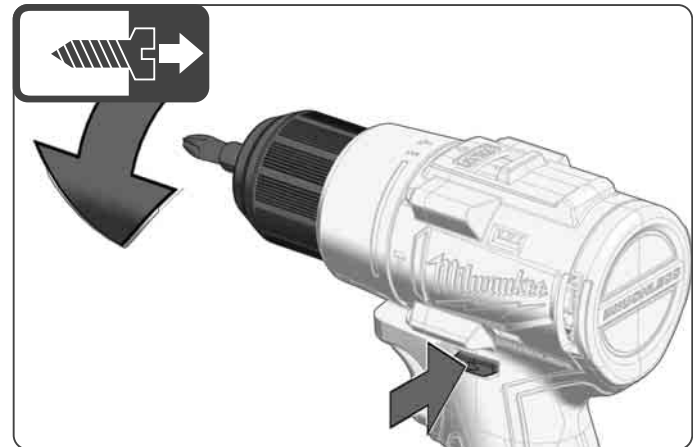
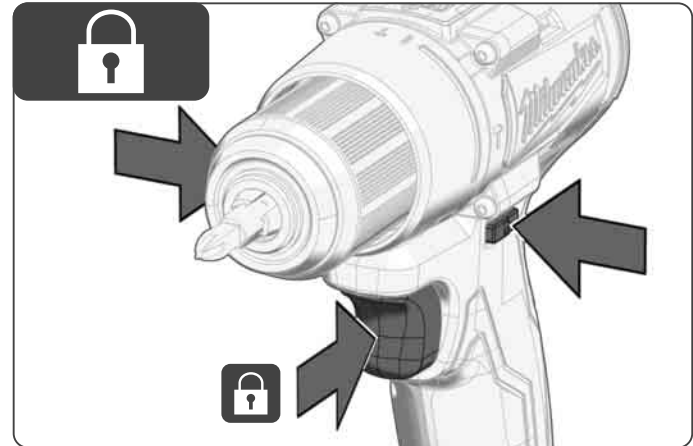
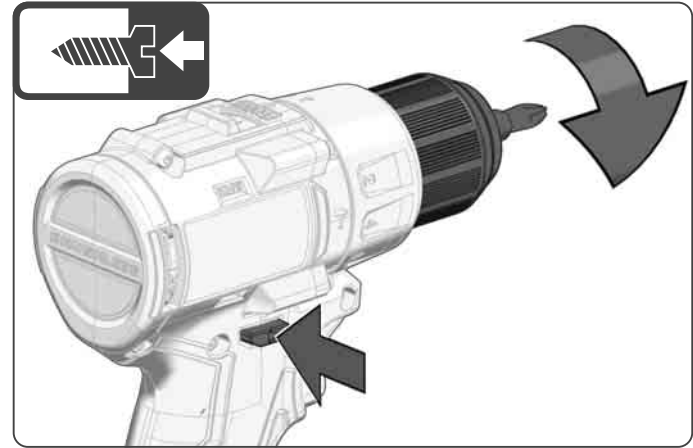
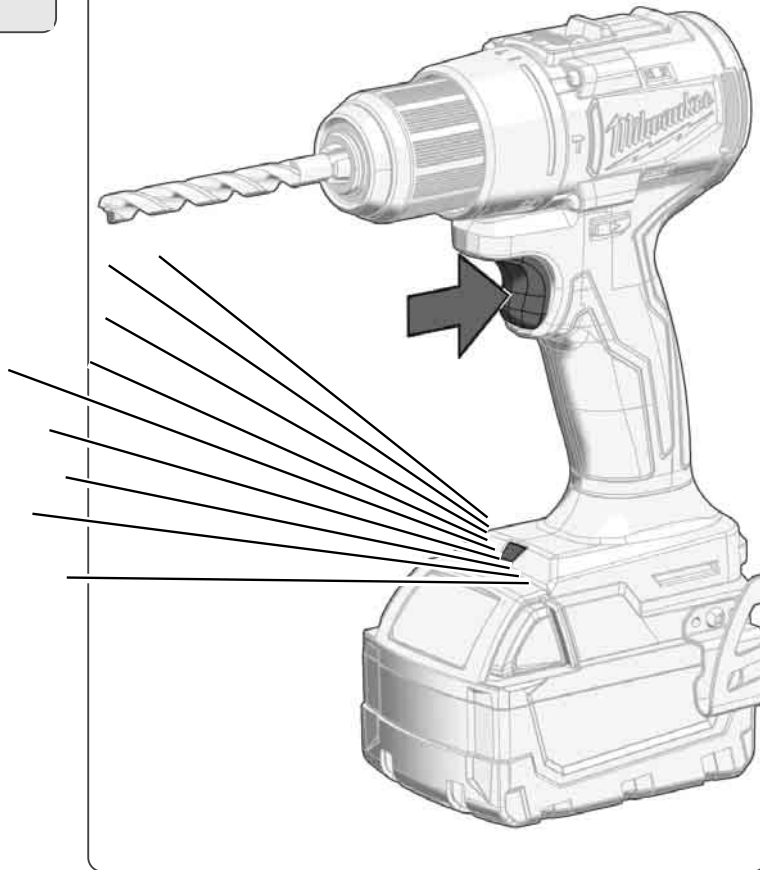
**START**



**STOP**

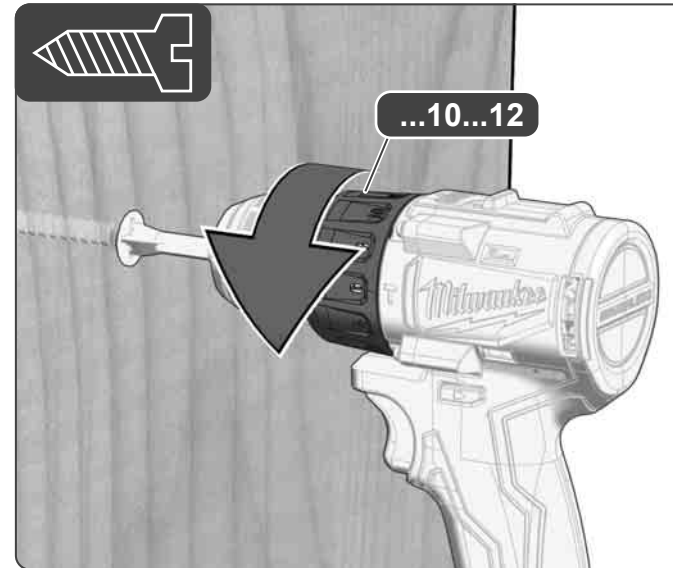
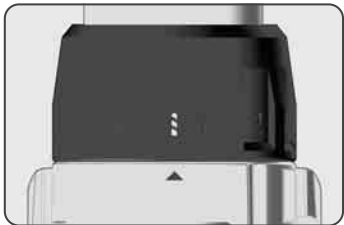
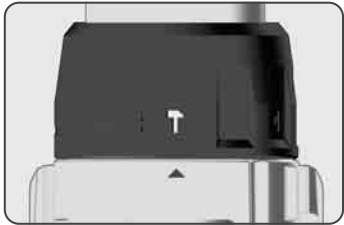
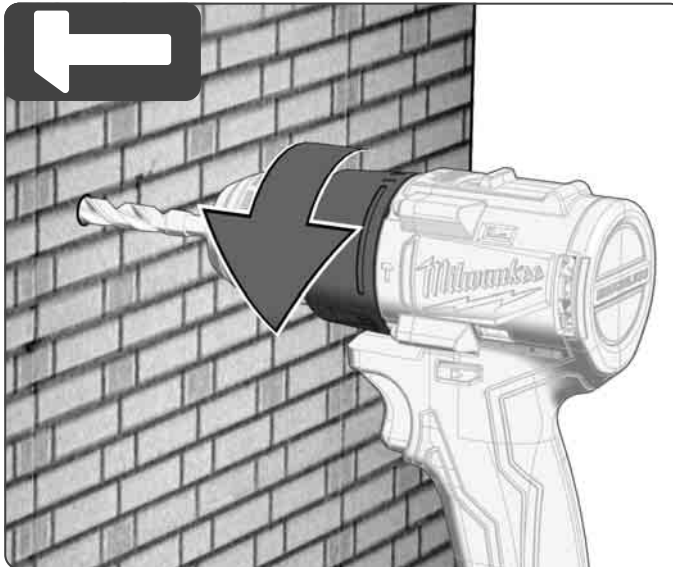


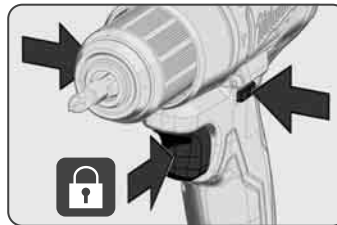
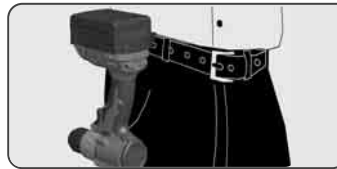
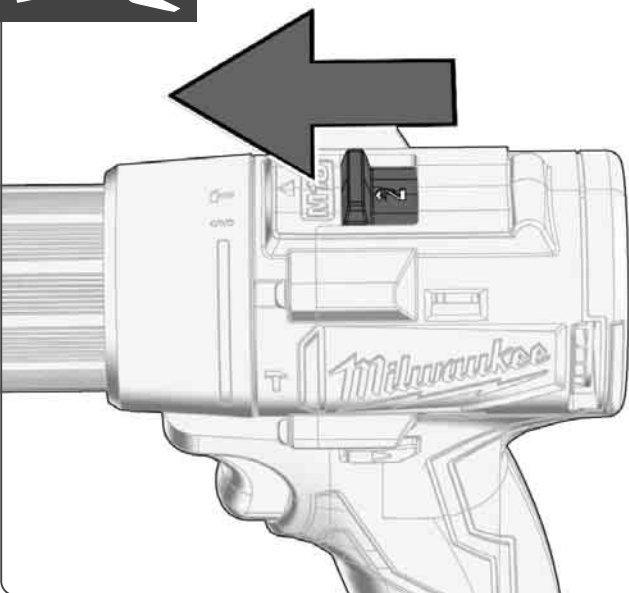
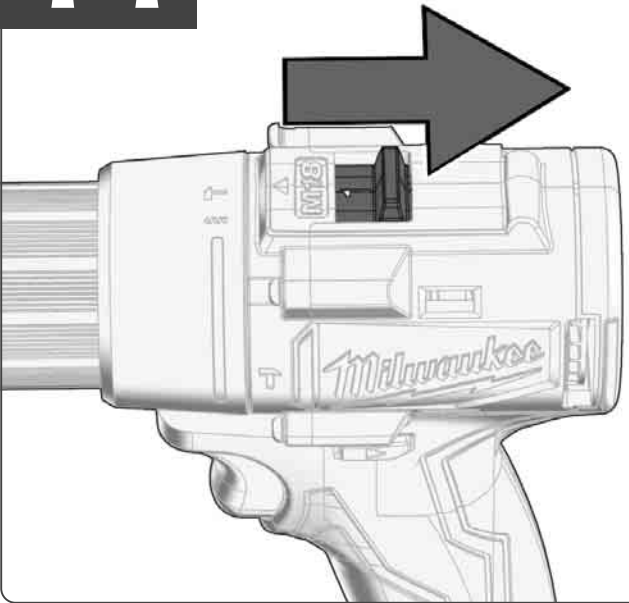
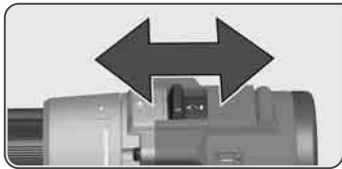
Insulated gripping surface



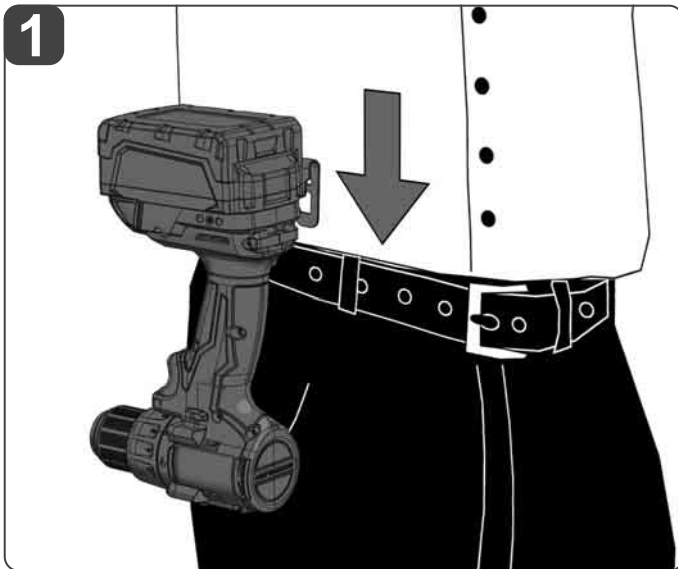


M18 BLPDRC

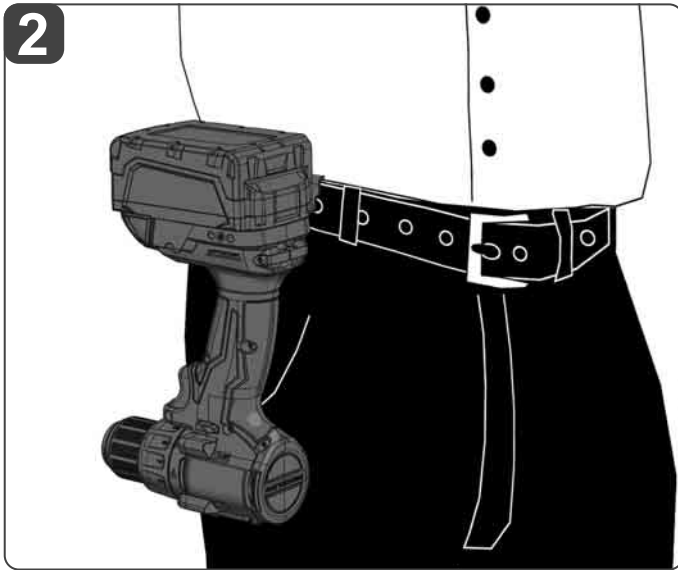


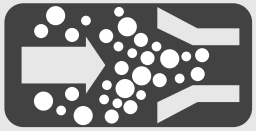


1



2





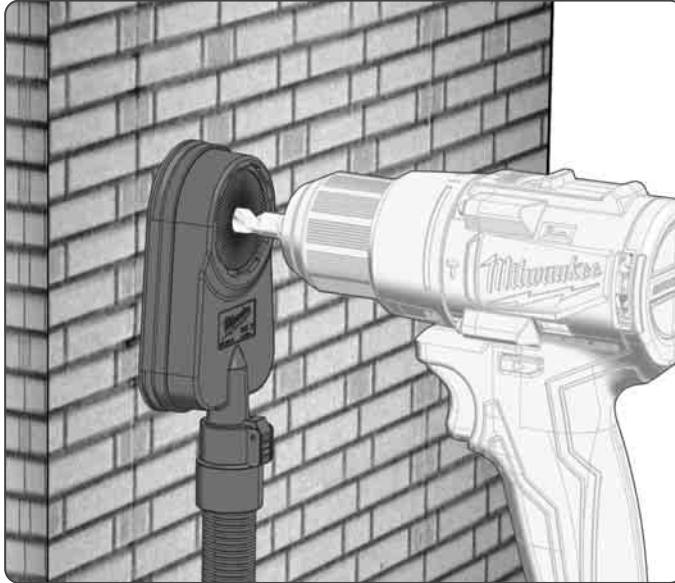
4932 4304 46 (Ø 28 mm)



4932 4304 80 (Ø 6 – 72 mm)



Accessory - Not included in standard equipment.



Connect the machine to a suitable dust extractor.

## ENGLISH

**⚠ WARNING** Read all safety warnings, instructions, illustrations and specifications provided with this power tool. Failure to follow all instructions listed below may result in electric shock, fire and/or serious injury. Save all warnings and instructions for future reference.

**⚠ WARNING** The vibration and noise emission level given in this information sheet has been measured in accordance with a standardized test given in EN 62841 and may be used to compare one tool with another. It may be used for a preliminary assessment of exposure.

The declared vibration and noise emission level represents the main applications of the tool. However if the tool is used for different applications, with different accessories or poorly maintained, the vibration and noise emission may differ. This may significantly increase the exposure level over the total working period.

An estimation of the level of exposure to vibration and noise should also take into account the times when the tool is switched off or when it is running but not actually doing the job. This may significantly reduce the exposure level over the total working period.

Identify additional safety measures to protect the operator from the effects of vibration and/or noise such as: maintain the tool and the accessories, keep the hands warm, organization of work patterns.

### TYPE

M18 BLDDRC Cordless Drill Driver  
M18 BLPDRC Cordless percussion drill/driver

### DRILL SAFETY WARNINGS

#### Safety instructions for all operations

**Wear ear protectors when impact drilling.** Exposure to noise can cause hearing loss.

**Use auxiliary handle(s), if supplied with the tool.** Loss of control can cause personal injury.

**Brace the tool properly before use.** This tool produces a high output torque and without properly bracing the tool during operation, loss of control may occur resulting in personal injury.

#### Safety instructions when using long drill bits

**Never operate at higher speed than the maximum speed rated of the drill bit.** At higher speeds, the bit is likely to bend if allowed to rotate freely without contacting the workpiece, resulting in the personal injury.

**Always start drilling at low speed and with the bit tip in contact with the workpiece.** At higher speeds, the bit is likely to bend if allowed to rotate freely without contacting the workpiece, resulting in the personal injury.

**Apply pressure only in direct line with the bit and do not apply excessive pressure.** Bits can bend causing breakage or loss of control, resulting in personal injury.

**Hold the power tool by insulated gripping surfaces, when performing an operation where the cutting accessory or fasteners may contact hidden wiring.**

Cutting accessory or fasteners contacting a "live" wire may make exposed metal parts of the power tool "live" and could give the operator an electric shock.

### ADDITIONAL SAFETY AND WORKING INSTRUCTIONS

Do not reach into the machine while it is running.

The insertion tool is sharp-edged and can become hot during use.

**WARNING!** Danger of cuts and burns

- when handling the insertion tools
- when setting the device down.

Chips and splinters must not be removed while the machine is running.

When working in walls ceiling, or floor, take care to avoid electric cables and gas or waterpipes.

Clamp your workpiece with a clamping device. Unclamped workpieces can cause severe injury and damage.

Remove the battery pack before starting any work on the machine.

Do not dispose of used battery packs in the household refuse or by burning them. Milwaukee Distributors offer to retrieve old batteries to protect our environment.

Do not store the battery pack together with metal objects (short circuit risk).

Use only compatible Milwaukee chargers from the same battery platform for charging batteries. Do not use batteries from other systems.

ALWAYS USE A SIDE HANDLE when using a 9.0 Ah or higher capacity battery pack; the output torque of some tools may increase. If your drill/driver did not

come with a side handle, use the spare part side handle (see explosion drawing of the tool).

Do not insert the bit on the tool when the tool is running, and switch is lock on status, the bit will be running and may hurt the user.

**Warning!** To reduce the risk of fire, personal injury, and product damage due to a short circuit, never immerse your tool, battery pack or charger in fluid or allow a fluid to flow inside them. Corrosive or conductive fluids, such as seawater, certain industrial chemicals, and bleach or bleach containing products, etc., can cause a short circuit.

### SPECIFIED CONDITIONS OF USE

**M18FDD3:** The battery drill/screwdriver may be used for drilling and screwdriving for independent use away from mains supply.

**M18 BLPDRC:** The electronic battery percussion drill/screwdriver is designed for drilling, percussion drilling, as well as screwdriving for independent use away from mains supply.

Do not use this product in any other way as stated for normal use.

### NOTES FOR LI-ION BATTERIES

#### Use of Li-Ion batteries

Batteries which have not been used for some time should be recharged before use.

Temperatures in excess of 50°C (122°F) reduce the performance of the battery. Avoid extended exposure to heat or sunshine (risk of overheating).

The contacts of chargers and battery packs must be kept clean.

For an optimum life-time, the batteries have to be fully charged, after used.

To obtain the longest possible battery life remove the battery pack from the charger once it is fully charged.

For battery storage longer than 30 days:

Store the battery where the temperature is below 27°C and away from moisture.

Store the battery in a 30% - 50% charged condition.

Every six months of storage, charge the battery as normal.

#### Battery protection for Li-Ion batteries

In extremely high torque, binding, stalling and short circuit situations that cause high current draw, the tool will vibrate for about 5 seconds, the fuel gauge will flash, and then the tool will turn OFF. To reset, release the trigger.

Under extreme circumstances, the internal temperature of the battery could become too high. If this happens, the fuel gauge will flash and the battery pack cool and then continue work.

#### Transport of Li-Ion batteries

Lithium-ion batteries are subject to the Dangerous Goods Legislation requirements.

Transportation of those batteries has to be done in accordance with local, national and international provisions and regulations.

- The user can transport the batteries by road without further requirements.
- Commercial transport of Lithium-ion batteries by third parties is subject to Dangerous Goods regulations. Transport preparation and transport are exclusively to be carried out by appropriately trained persons and the process has to be accompanied by corresponding experts.

When transporting batteries:

- Ensure that battery contact terminals are protected and insulated to prevent short circuit.
- Ensure that battery pack is secured against movement within packaging.
- Do not transport batteries that are cracked or leak.

Check with forwarding company for further advice

### CLEANING

The ventilation slots of the machine must be kept clear at all times.

### MAINTENANCE

Use only Milwaukee accessories and Milwaukee spare parts. Should components need to be replaced which have not been described, please contact one of our Milwaukee service agents (see our list of guarantee/service addresses).

If needed, an exploded view of the tool can be ordered. Please state the machine type printed as well as the six-digit No. on the label and order the drawing at your local service agents or directly at: Techtronic Industries GmbH, Max-Eyth-Straße 10, 71364 Winnenden, Germany.

### DISPOSAL



Do not dispose of waste batteries, waste electrical and electronic equipment as unsorted municipal waste. Waste batteries and waste electrical and electronic equipment must be collected separately.

Waste batteries, waste accumulators and light sources have to be removed from equipment.

Check with your local authority or retailer for recycling advice and collection point. According to local regulations retailers may have an obligation to take back waste batteries and Waste electrical and electronic equipment free of charge.

Your contribution to re-use and recycling of waste batteries and waste electrical and electronic equipment helps to reduce the demand of raw materials.

Waste batteries, in particular containing lithium and waste Electrical and electronic equipment contain valuable, recyclable materials, which can adversely impact the environment and the human health, if not disposed of in an environmentally compatible manner.

Delete personal data from waste equipment, if any.

#### EC DECLARATION OF CONFORMITY

We declare as the manufacturer under our sole responsibility that the product described under "Technical Data" fulfills all the relevant regulations and directives listed below and that the following harmonized standards have been used.

2011/65/EU (RoHS)  
2014/30/EU  
2006/42/EC

EN 62841-1:2015+A11:2022  
EN 62841-2-1:2018+A11:2019+A1:2022+A12:2022  
EN IEC 55014-1:2021  
EN IEC 55014-2:2021  
EN IEC 63000:2018

Winnenden, 2024-12-10



Martin Landherr  
Managing Director



Authorized to compile the technical file

#### GB-DECLARATION OF CONFORMITY

We declare as the manufacturer under our sole responsibility that the product described under "Technical Data" fulfills all the listed below relevant regulations and that the following designated standards have been used.

S.I. 2008/1597 (as amended)  
S.I. 2016/1091 (as amended)  
S.I. 2012/3032 (as amended)

EN 62841-1:2015+A11:2022  
EN 62841-2-1:2018+A11:2019+A1:2022+A12:2022  
EN IEC 55014-1:2021  
EN IEC 55014-2:2021  
EN IEC 63000:2018

Winnenden, 2024-12-10



Martin Landherr  
Managing Director

Authorized to compile the technical file:

Techtronic Industries (UK) Ltd  
Parkway  
Marlow SL7 1YL  
UK

Techtronic Industries GmbH  
Max-Eyth-Straße 10  
71364 Winnenden  
Germany

Copyright 2025

Techtronic Industries GmbH  
Max-Eyth-Str. 10  
71364 Winnenden  
Germany

+49 (0) 7195-12-0

[www.milwaukeeetool.eu](http://www.milwaukeeetool.eu)

Techtronic Industries (UK) Ltd  
Parkway  
Marlow SL7 1YL  
UK

(09.25)

**4100 4708 68**