



Nothing but **HEAVY DUTY.**[™]













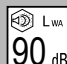


M18 FBLG3

Original instructions

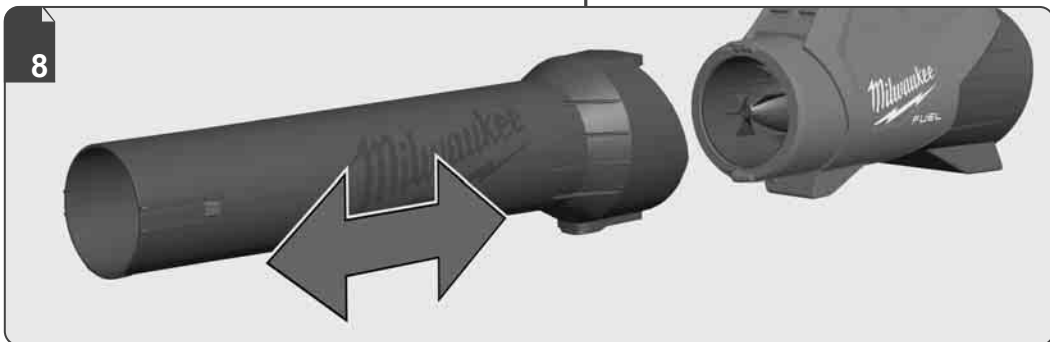
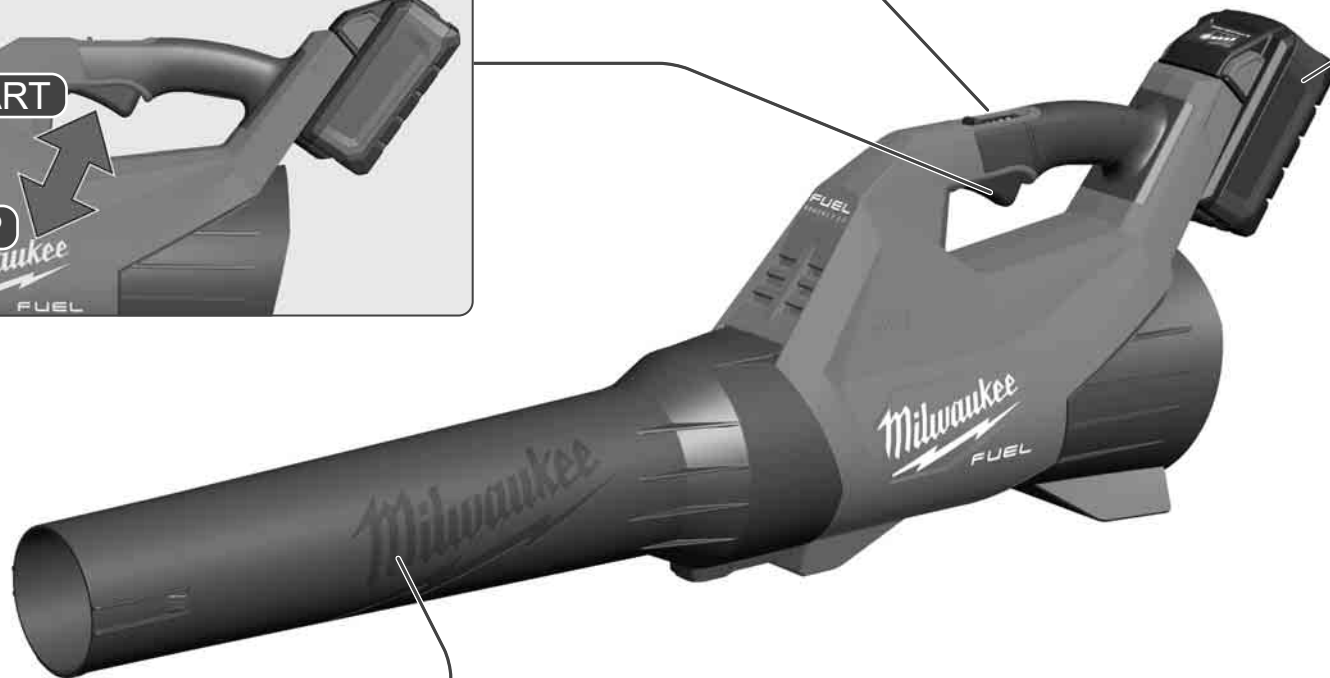
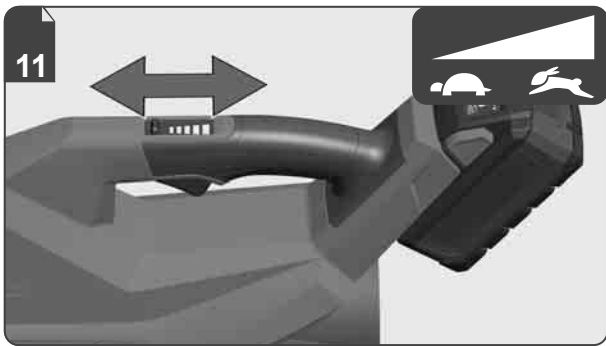
Description of symbols	2
Technical data.....	3
Picture section with operating description and functional description	4
Text section with important safety and working hints.....	19
EC declaration of conformity	19

Symbols

	Please read the instructions carefully before starting the machine.
	CAUTION! WARNING! DANGER!
	Always wear goggles when using the machine
	Wear ear protectors! !
	Always wear goggles when using the machine. Wear ear protectors!
	Wear a suitable dust protection mask.
	Never expose tool to rain.
	Failure to keep hands away from the air inlet could result in personal injury.
	Failure to keep long hair away from the air inlet could result in personal injury.
	Do not wear loose clothing or jewellery that can be drawn into the air inlet.
	Ensure that nobody is at risk of materials being catapulted out or falling.
	Keep bystanders away.
	The guaranteed sound power level shown on this label is 90 dB.

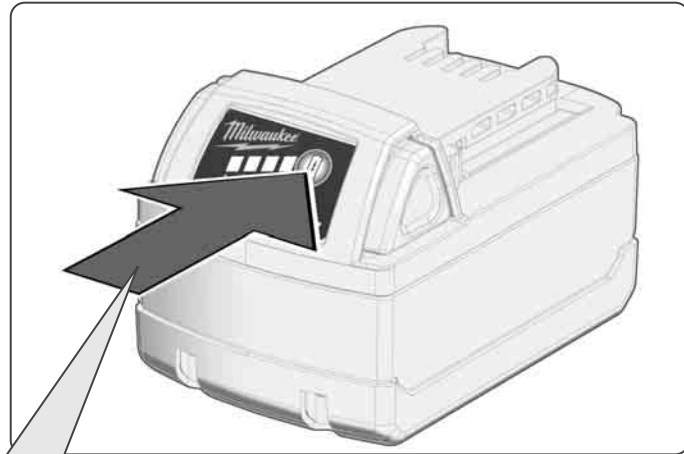
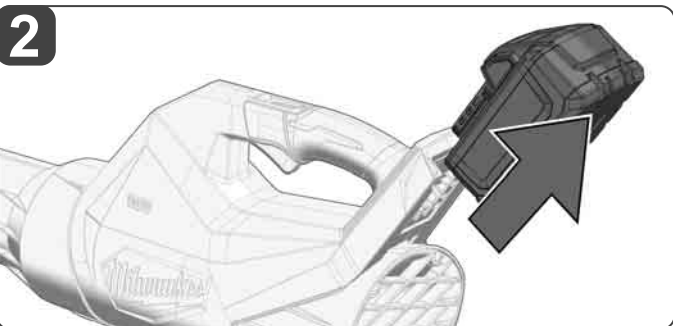
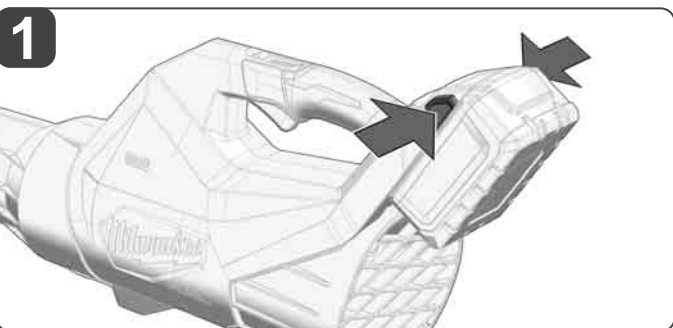
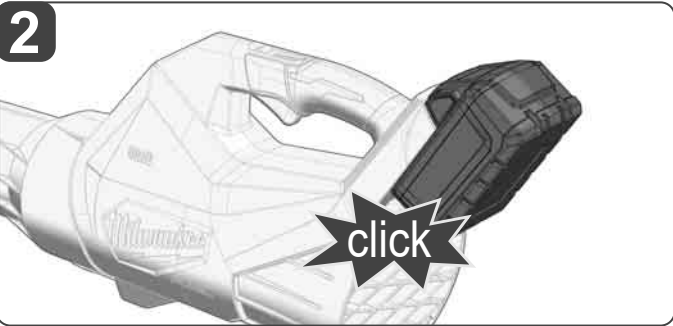
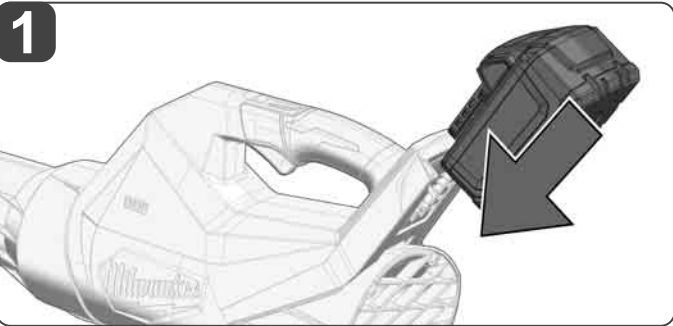
Technical Data

Production code	5033 22 02 XXXXXX MJJJJ
Voltage battery	18 V ---
Rating input current	32 A
No-load speed	0-21000 min ⁻¹
Air speed	0-193 km/h
Air flow rate	0-14,2 m ³ /min
Weight with battery (2.0 Ah ... 12.0 Ah)	2,9 kg ... 4,0 kg
Recommended ambient operating temperature	-18...+50 °C
Recommended battery types	M18B...; M18HB...; M18FB...
Recommended charger	M12-18...; M1418...; M18...
Noise information: Measured values determined according to EN 62841.	
Typically, the A-weighted noise levels of the tool are:	
Sound pressure level / Uncertainty K	
No nozzle	78,00 dB(A) / 3 dB(A)
Tapered nozzle	81,50 dB(A) / 3 dB(A)
Angle flare nozzle	81,50 dB(A) / 3 dB(A)
Flat nozzle	81,40 dB(A) / 3 dB(A)
Sound power level / Uncertainty K	
no nozzle	91,02 dB(A) / 3 dB(A)
Tapered nozzle	94,74 dB(A) / 3 dB(A)
Angle flare nozzle	94,68 dB(A) / 3 dB(A)
Flat nozzle	95,18 dB(A) / 3 dB(A)
Always wear ear protectors!	
Vibration information: Total vibration values (vector sum in the three axes) determined according to EN 62841.	
Vibration emission value a _h / Uncertainty K	
no nozzle	2,16 m/s ² / 1,5 m/s ²
Tapered nozzle	1,51 m/s ² / 1,5 m/s ²
Angle flare nozzle	1,79 m/s ² / 1,5 m/s ²
Flat nozzle	1,21 m/s ² / 1,5 m/s ²





Remove the battery pack before starting any work on the machine.



75-100 %



50-75 %



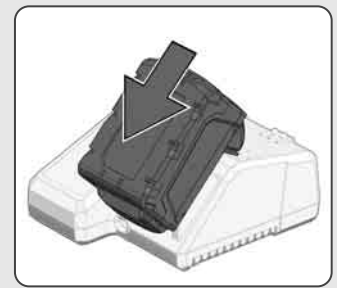
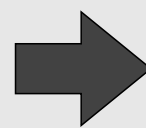
30-50 %

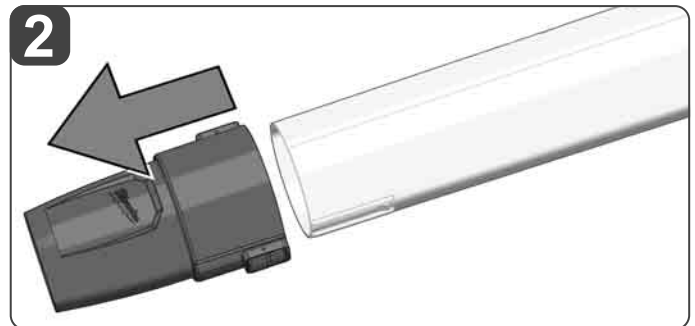
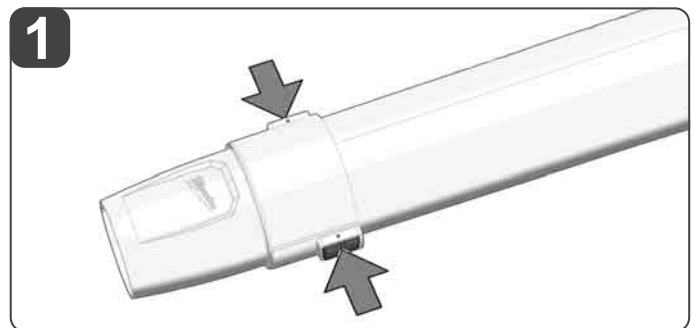
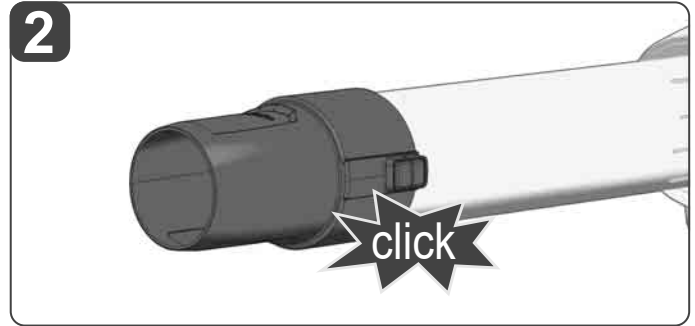
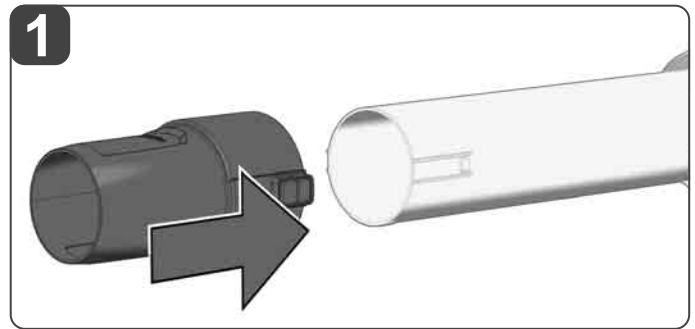
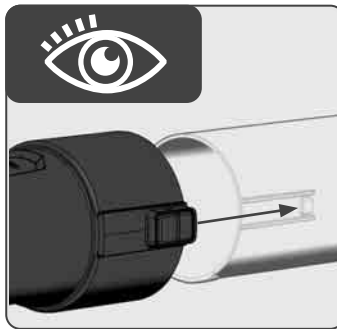
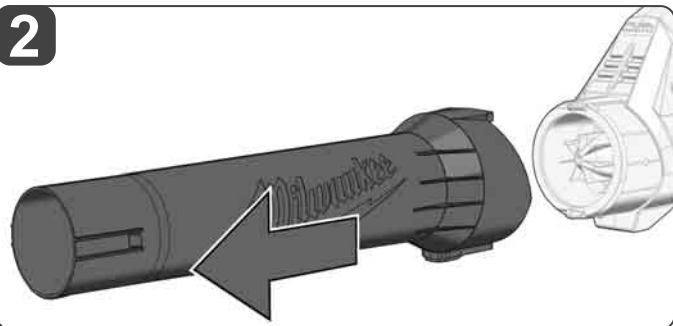
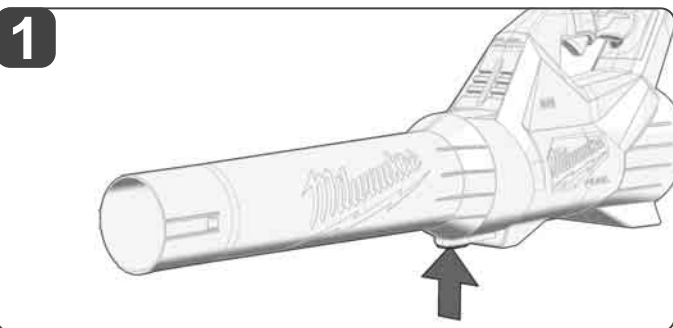
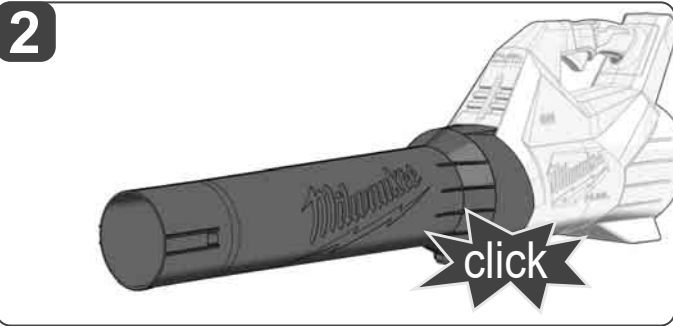
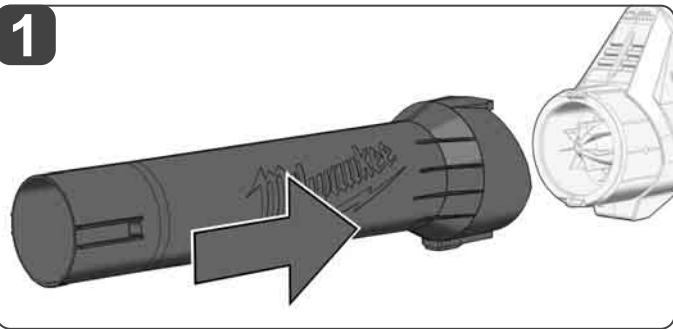
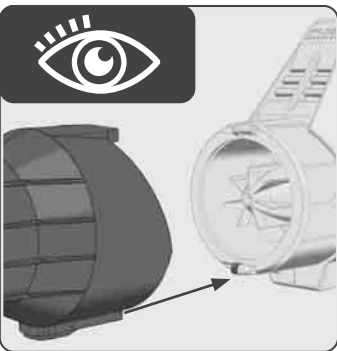
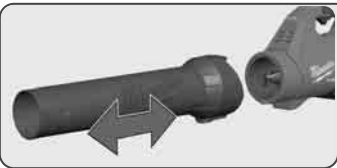


10-30 %



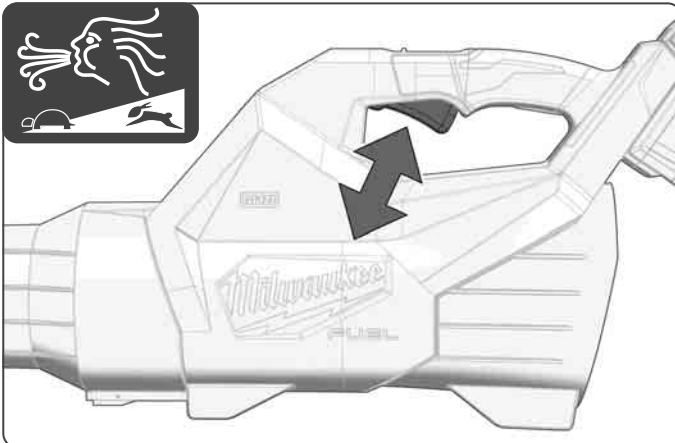
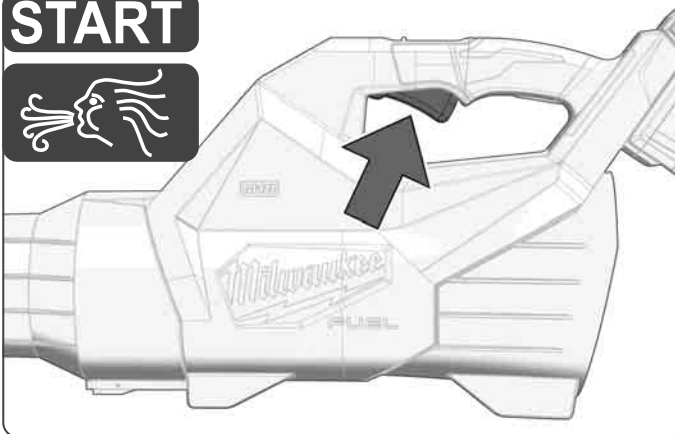
< 10 %



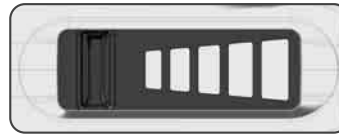
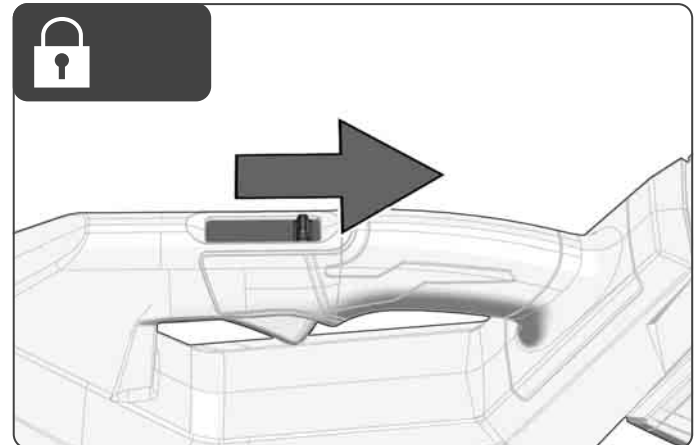
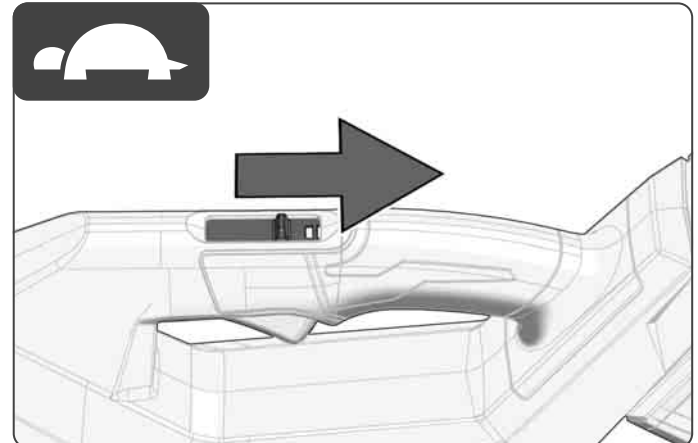
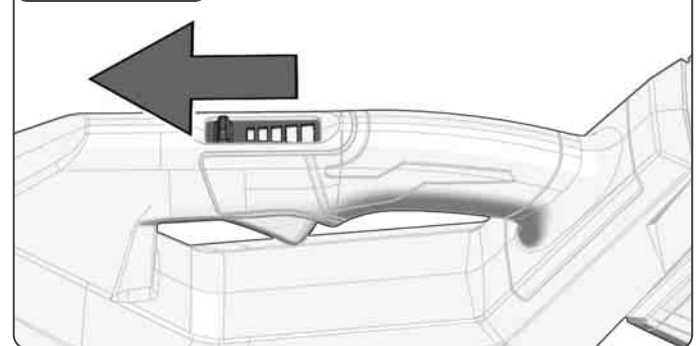
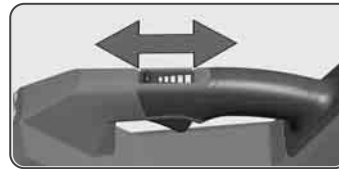
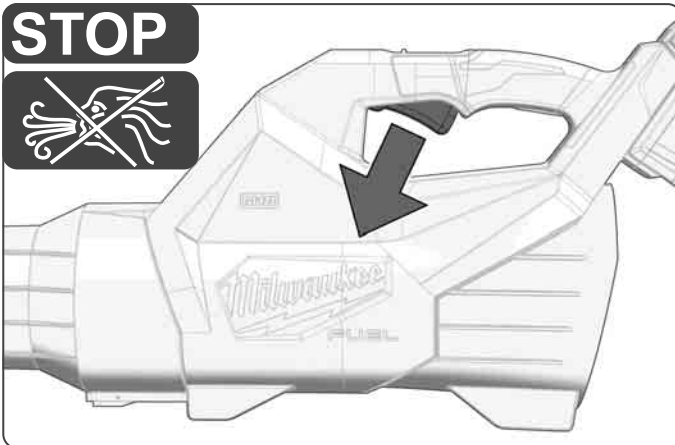


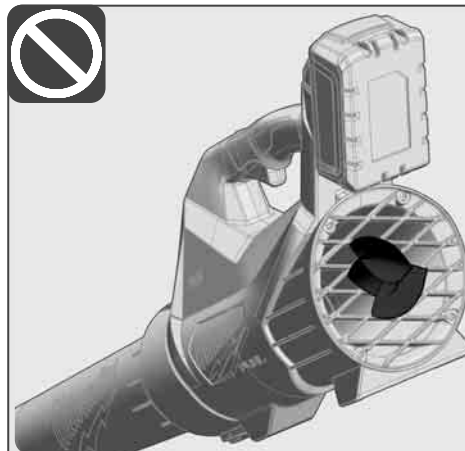


START

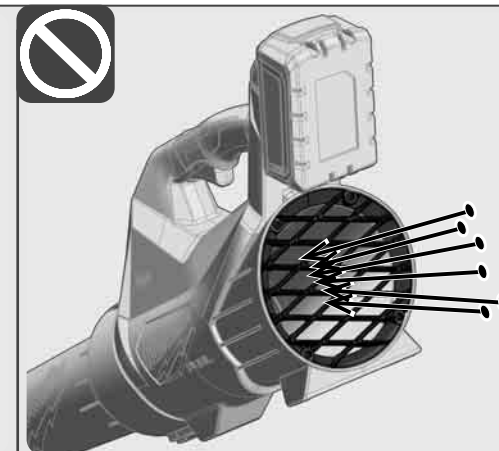


STOP

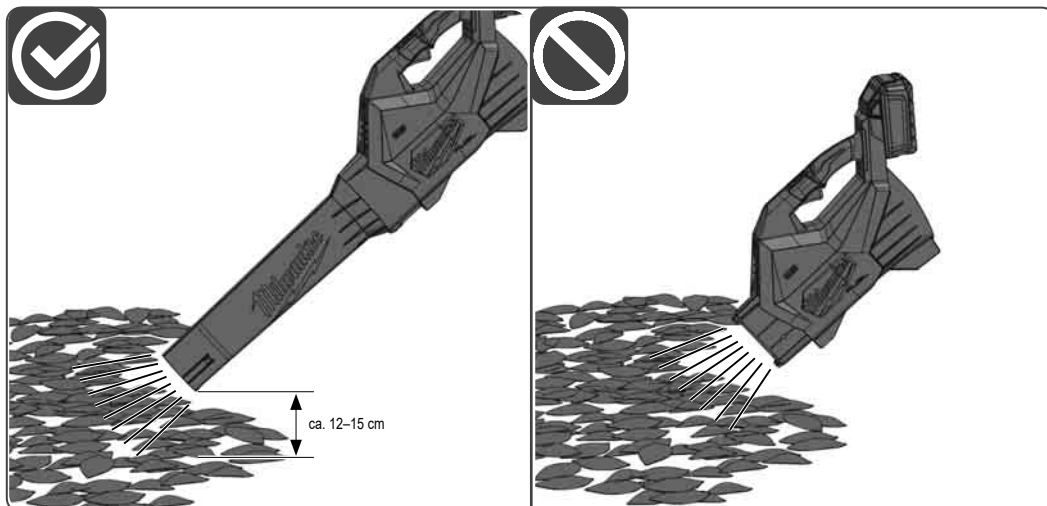




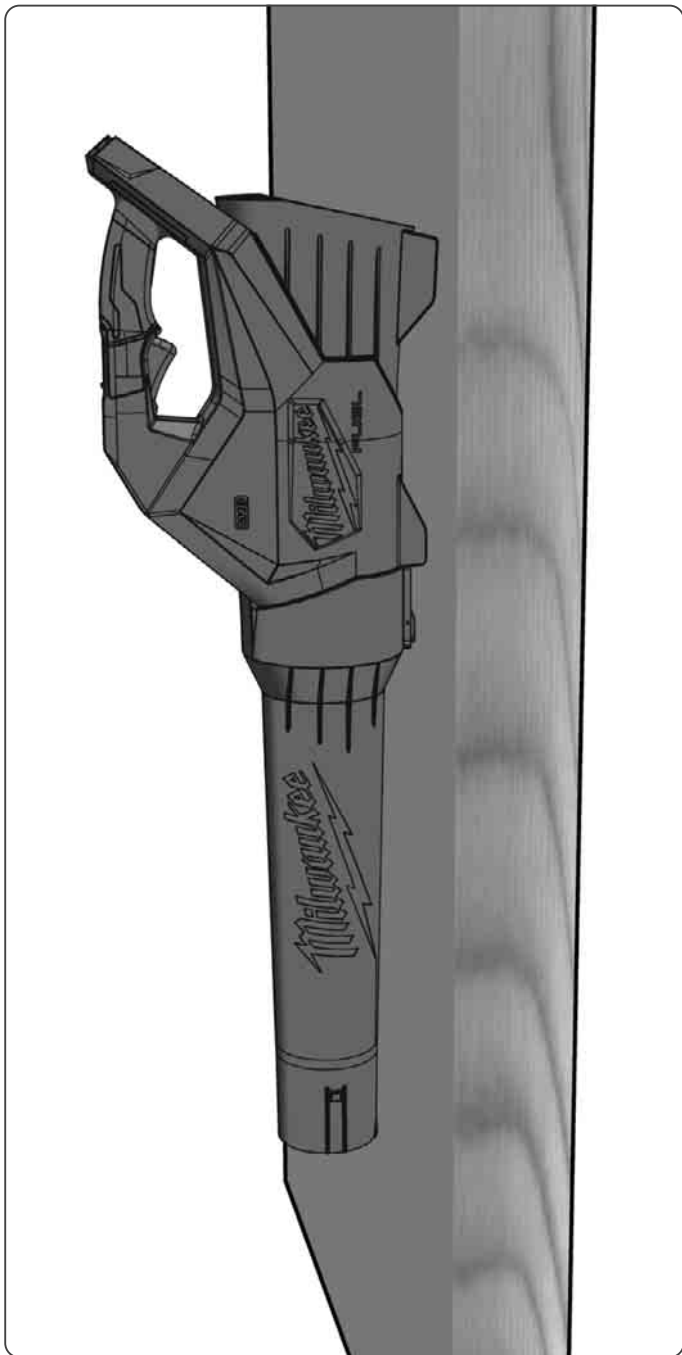
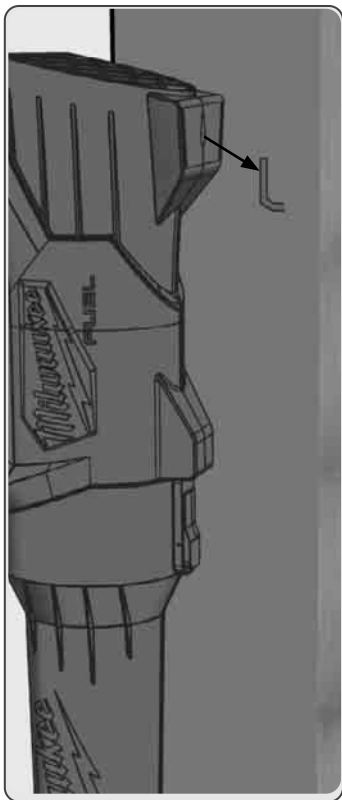
Do not cover air inlet!



Keep all cooling air inlets clear of dirt.



ca. 12-15 cm



ENGLISH

⚠ WARNING Read these instructions carefully. Be familiar with the controls and the proper use of the machine. Save all warnings and instructions for future reference.

⚠ WARNING The vibration and noise emission level given in this information sheet has been measured in accordance with a standardized test given in EN 62841 and may be used to compare one tool with another. It may be used for a preliminary assessment of exposure.

The declared vibration and noise emission level represents the main applications of the tool. However if the tool is used for different applications, with different accessories or poorly maintained, the vibration and noise emission may differ. This may significantly increase the exposure level over the total working period.

An estimation of the level of exposure to vibration and noise should also take into account the times when the tool is switched off or when it is running but not actually doing the job. This may significantly reduce the exposure level over the total working period.

Identify additional safety measures to protect the operator from the effects of vibration and/or noise such as: maintain the tool and the accessories, keep the hands warm, organization of work patterns.

TYPE

M18 FBLG3 Cordless Garden Blower

CORDLESS BLOWER SAFETY WARNINGS

Do not use the machine in bad weather conditions, especially when there is a risk of lightning. This decreases the risk of being struck by lightning.

Wear eye protection and ear protection. Adequate protective equipment will reduce the risk of personal injury.

While operating the machine, always wear non-slip and protective footwear. Do not operate the machine when barefoot or wearing open sandals. This reduces the risk of injury to the feet.

Do not wear loose fitting clothing or articles such as scarves, strings, chains, ties, etc., that could get drawn into the air inlets. Tie back or cover long hair to make sure it does not get drawn into the air inlets. If any of these items are drawn into the air inlets, it can increase the risk of personal injury.

Keep bystanders away while operating the machine. Thrown debris can increase the risk of personal injury.

Never point the blower nozzle in the direction of people or pets or in the direction of windows. Use extra caution when blowing debris near solid objects, such as trees, automobiles and walls that can cause debris to ricochet. Thrown objects can damage property and increase the risk of personal injury.

Do not use the machine to blow anything that is burning or smoking, such as cigarettes, matches or hot ashes. These ignition sources may increase the risk of fire.

Do not touch the fan while still in motion. Turn off the machine, then wait until the fan stops before removing any part that may give access to the fan. This reduces the risk of injury from moving parts.

When clearing jammed material or servicing the machine, make sure the power switch is off. Unexpected starting of the machine while clearing jammed material or servicing may result in serious personal injury.

ADDITIONAL SAFETY WARNINGS

Keep work area clean and well lit. Cluttered or dark areas invite accidents.

Keep any ventilation openings clear of debris.

Do not wear multiple shoulder straps simultaneously. When wearing a shoulder strap, ensure that no other wearable interferes with the release and removal of the strap.

Do not use an attachment extension with this tool attachment. The additional length will make this attachment difficult to control and could cause injury.

Do not use the tool near anything that is burning or smoking such as cigarettes, matches, or hot ashes.

To reduce the risk of health hazards from vapours or dust, do not use tool near toxic, carcinogenic or other hazardous materials such as asbestos, arsenic, barium, beryllium, lead, pesticides or other health endangering materials.

Do not operate the tool without the front handle in place. The front handle must be attached properly during use.

Inspect the product before each use. Check for loose fasteners, etc. Make sure all guards and handles are properly and securely attached. Replace any damaged parts before use. Check for battery pack leaks.

Do not modify the product in any way.

Wear full eye and hearing protection while operating the product. If working in an area where there is a risk of falling objects, wear appropriate head protection.

Secure long hair so it is above shoulder level to prevent entanglement in moving parts.

Do not use the product when you are tired, ill, or under the influence of alcohol, drugs, or medication.

Keep firm footing and balance. Do not overreach. Overreaching can result in loss of balance or exposure to hot surfaces.

⚠ WARNING! If the product is stopped, suffers heavy impact, or begins to vibrate abnormally, immediately stop the product and inspect for damage or identify the cause of the vibration. Any damage should be properly repaired or replaced by an authorised service centre.

Remove the battery pack before starting any work on the machine.

Do not dispose of used battery packs in the household refuse or by burning them. Milwaukee Distributors offer to retrieve old batteries to protect our environment.

Do not store the battery pack together with metal objects (short circuit risk).

Use only compatible Milwaukee chargers from the same battery platform for charging batteries. Do not use batteries from other systems.

Battery acid may leak from damaged batteries under extreme load or extreme temperatures. In case of contact with battery acid wash it off immediately with soap and water. In case of eye contact rinse thoroughly for at least 10 minutes and immediately seek medical attention.

Warning! To reduce the risk of fire, personal injury, and product damage due to a short circuit, never immerse your tool, battery pack or charger in fluid or allow a fluid to flow inside them. Corrosive or conductive fluids, such as seawater, certain industrial chemicals, and bleach or bleach containing products, etc., can cause a short circuit.

SPECIFIED CONDITIONS OF USE

The cordless blower is intended for blowing of dirt and leaves.

Do not use this product in any other way as stated for normal use.

NOTES FOR LI-ION BATTERIES

Use of Li-Ion batteries

Battery packs which have not been used for some time should be recharged before use.

Temperatures in excess of 50°C reduce the performance of the battery. Avoid extended exposure to heat or sunshine (risk of overheating).

The contacts of chargers and battery must be kept clean.

For an optimum life-time, the batteries have to be fully charged, after used.

To obtain the longest possible battery life remove the battery from the charger once it is fully charged.

For battery storage longer than 30 days:

Store the battery where the temperature is below 27°C and away from moisture.

Store the battery in a 30% - 50% charged condition.

Every six months of storage, charge the battery as normal.

Battery protection for Li-Ion batteries

Under extreme circumstances, the internal temperature of the battery pack could raise too much. If this happens, the fuel gauge will flash until the battery pack cooled down. After the lights go off, the work may continue.

Transport of Li-Ion batteries

Lithium-ion batteries are subject to the Dangerous Goods Legislation requirements.

Transportation of those batteries has to be done in accordance with local, national and international provisions and regulations.

- The user can transport the batteries by road without further requirements.
- Commercial transport of Lithium-Ion batteries by third parties is subject to Dangerous Goods regulations. Transport preparation and transport are exclusively to be carried out by appropriately trained persons and the process has to be accompanied by corresponding experts.

When transporting batteries:

- Ensure that battery contact terminals are protected and insulated to prevent short circuit.
- Ensure that battery pack is secured against movement within packaging.
- Do not transport batteries that are cracked or leak.

Check with forwarding company for further advice.

CLEANING

The ventilation slots of the machine must be kept clear at all times.

MAINTENANCE

Keep all nuts, bolts and screws tight to be sure that the machine is in safe working condition.

Examine the machine and replace worn or damaged parts for safety.

Use only Milwaukee accessories and Milwaukee spare parts. Should components need to be replaced which have not been described, please contact one of our Milwaukee service agents (see our list of guarantee/service addresses).

If needed, an exploded view of the tool can be ordered. Please state the machine type printed as well as the six-digit No. on the label and order the drawing at your local service agents or directly at: Techtronic Industries GmbH, Max-Eyth-Straße 10, 71364 Winnenden, Germany.

DISPOSAL



Do not dispose of waste batteries, waste electrical and electronic equipment as unsorted municipal waste. Waste batteries and waste electrical and electronic equipment must be collected separately. Waste batteries, waste accumulators and light sources have to be removed from equipment.

Check with your local authority or retailer for recycling advice and collection point. According to local regulations retailers may have an obligation to take back waste batteries and Waste electrical and electronic equipment free of charge.

Your contribution to re-use and recycling of waste batteries and waste electrical and electronic equipment helps to reduce the demand of raw materials.

Waste batteries, in particular containing lithium and waste Electrical and electronic equipment contain valuable, recyclable materials, which can adversely impact the environment and the human health, if not disposed of in an environmentally compatible manner.

Delete personal data from waste equipment, if any.

EC DECLARATION OF CONFORMITY

We declare as the manufacturer under our sole responsibility that the product described under "Technical Data" fulfills all the relevant regulations and directives listed below and that the following harmonized standards have been used.

2011/65/EU (RoHS)
 2014/30/EU
 2006/42/EC
 2000/14/EC, 2005/88/EC, (EU) 2024/1208
 EN IEC 62841-1:2015+AC:2015+A11:2022
 EN IEC 62841-4-6:2024+A11:2024
 EN IEC 55014-1:2021
 EN IEC 55014-2:2021
 EN 62233:2008
 EN IEC 63000:2018

Measured sound power level: 88,8 dB (A)
 Guaranteed sound power level: 90 dB (A)
 Conformity assessment to Annex V Directive 2000/14/EC amended by 2005/88/EC.

Winnenden, 2025-10-13



Martin Landherr
 Managing Director



Authorized to compile the technical file

Techtronic Industries GmbH
 Max-Eyth-Straße 10
 71364 Winnenden
 Germany

GB-DECLARATION OF CONFORMITY

We declare as the manufacturer under our sole responsibility that the product described under "Technical Data" fulfills all the listed below relevant regulations and that the following designated standards have been used.

S.I. 2012/3032 (as amended)
 S.I. 2016/1091 (as amended)
 S.I. 2008/1597 (as amended)
 S.I. 2001/1701 (as amended)
 EN IEC 62841-1:2015+AC:2015+A11:2022
 EN IEC 62841-4-6:2024+A11:2024
 EN IEC 55014-1:2021
 EN IEC 55014-2:2021
 EN 62233:2008
 EN IEC 63000:2018

Measured sound power level: 88,8 dB (A)
 Guaranteed sound power level: 90 dB (A)
 Conformity assessment to Schedule 8 Directive S.I. 2001/1701

Winnenden, 2025-10-13



Martin Landherr
 Managing Director

Techtronic Industries GmbH
 Max-Eyth-Straße 10
 71364 Winnenden
 Germany

Authorized to compile the technical file:

Techtronic Industries (UK) Ltd
 Parkway
 Marlow SL7 1YL
 UK

Copyright 2025

Techtronic Industries GmbH
Max-Eyth-Str. 10
71364 Winnenden
Germany

+49 (0) 7195-12-0

www.milwaukeeetool.eu

Techtronic Industries (UK) Ltd
Parkway
Marlow SL7 1YL
UK

(10.25)

4100 4890 62